

Overview

HPE Smart Array SR Gen10 Controllers

for HPE ProLiant DL, ML and Apollo Servers

The HPE Smart Array SR Gen10 Controllers for the ProLiant DL and ML Gen10 Servers and Apollo Gen10 Servers, supporting 12Gb/s SAS and PCIe 3.0, are ideal for maximizing performance while supporting advanced RAID levels with up to 4 GB flash-backed write cache (FBWC). These controllers operate in Mixed Mode which combines RAID and HBA/JBOD operations simultaneously. The Smart Array SR Gen10 controller portfolio is able to support up to 24 internally attached drives on a single controller allowing connection to SAS or SATA drives without having to use the SAS Expander card. The Smart Array SR Gen10 Controllers also offer encryption for data-at-rest on any drive with HPE Smart Array SR Secure Encryption. The HPE Smart Array SR Gen10 controller portfolio provides enterprise-class storage performance, reliability, security and efficiency needed to address your evolving data storage needs.



HPE Smart Array P408i-a SR
Gen10 Ctrlr (804331-B21 &
869081-B21)



HPE Smart Array P408i-p SR
Gen10 Ctrlr (830824-B21)



HPE Smart Array P816i-a SR
Gen10 Ctrlr (804338-B21 &
869083-B21)



HPE Smart Array E208i-a SR
Gen10 Ctrlr (804326-B21 &
869079-B21)



HPE Smart Array E208i-p SR
Gen10 Ctrlr (804394-B21)



HPE Smart Array E208e-p SR
Gen10 Ctrlr (804398-B21)



HPE Smart Array P408e-p SR
Gen10 Ctrlr (804405-B21)

Standard Features

Models

| | | |
|---|--|------------|
| 2 | HPE Smart Array P816i-a SR Gen10 (16 Internal Lanes/4GB Cache/SmartCache) 12G SAS Modular Controller | 804338-B21 |
| 2 | HPE Smart Array P816i-a SR Gen10 (16 Int Lanes/4GB Cache/SmartCache) 12G SAS Modular LH Controller | 869083-B21 |
| 2 | HPE Smart Array P408i-a SR Gen10 (8 Internal Lanes/2GB Cache) 12G SAS Modular Controller | 804331-B21 |
| 2 | HPE Smart Array P408i-a SR Gen10 (8 Internal Lanes/2GB Cache) 12G SAS Modular LH Controller | 869081-B21 |
| 3 | HPE Smart Array P408i-p SR Gen10 (8 Internal Lanes/2GB Cache) 12G SAS PCIe Plug-in Controller | 830824-B21 |
| 3 | HPE Smart Array P408e-p SR Gen10 (8 External Lanes/4GB Cache) 12G SAS PCIe Plug-in Controller | 804405-B21 |
| 4 | HPE Smart Array E208e-p SR Gen10 (8 External Lanes/No Cache) 12G SAS PCIe Plug-in Controller | 804398-B21 |
| 4 | HPE Smart Array E208i-p SR Gen10 (8 Internal Lanes/No Cache) 12G SAS PCIe Plug-in Controller | 804394-B21 |
| 5 | HPE Smart Array E208i-a SR Gen10 (8 Internal Lanes/No Cache) 12G SAS Modular LH Controller | 869079-B21 |
| 5 | HPE Smart Array E208i-a SR Gen10 (8 Internal Lanes/No Cache) 12G SAS Modular Controller | 804326-B21 |

Notes: An HPE Smart Storage energy pack is required with Performance RAID controllers. See below for energy pack options.



Standard Features

| Compatibility | | | | | | |
|--------------------------------|---|--|--|--|---|--|
| Server Support Table | | | | | | |
| SKU | 804326-B21 | 869079-B21 | 804394-B21 | 804398-B21 | 804405-B21 | 804331-B21 |
| Description | HPE Smart Array E208i-a SR Gen10 (8 Internal Lanes/No Cache) 12G SAS Modular Controller | HPE Smart Array E208i-a SR Gen10 (8 Internal Lanes/No Cache) 12G SAS Modular LH Controller | HPE Smart Array E208i-p SR Gen10 (8 Internal Lanes/No Cache) 12G SAS PCIe Plug-in Controller | HPE Smart Array E208e-p SR Gen10 (8 External Lanes/No Cache) 12G SAS PCIe Plug-in Controller | HPE Smart Array P408e-p SR Gen10 (8 External Lanes/4GB Cache) 12G SAS PCIe Plug-in Controller | HPE Smart Array P408i-a SR Gen10 (8 Internal Lanes/2GB Cache) 12G SAS Modular Controller |
| HPE Apollo 2000-XL170r Gen10 | | | ✓ | ✓ | ✓ | |
| HPE Apollo 2000-XL190r Gen10 | | | ✓ | ✓ | ✓ | |
| HPE Apollo 4510-XL450 Gen10 | ✓ | | ✓ | ✓ | ✓ | ✓ |
| HPE Apollo 6000-XL230k Gen10 | | | ✓ | ✓ | | |
| HPE Apollo 6500-XL270D Gen10 | | | | | | ✓ |
| HPE DL325 Gen10 | | ✓ | | ✓ | ✓ | |
| HPE ProLiant DL360 Gen10 | ✓ | ✓ | ✓ | ✓ | ✓ | ✓ |
| HPE ProLiant DL380 Gen10 | ✓ | | ✓ | ✓ | ✓ | ✓ |
| HPE ProLiant DL385 Gen10 | ✓ | | ✓ | ✓ | ✓ | ✓ |
| HPE ProLiant DL560 Gen10 | | ✓ | ✓ | ✓ | ✓ | |
| HPE ProLiant DL580 Gen10 | | | ✓ | ✓ | ✓ | |
| HPE ProLiant Microserver Gen10 | | | ✓ | | | |
| HPE ProLiant ML110 Gen10 | | | ✓ | ✓ | ✓ | |
| HPE ProLiant ML350 Gen10 | ✓ | | ✓ | ✓ | ✓ | ✓ |



Standard Features

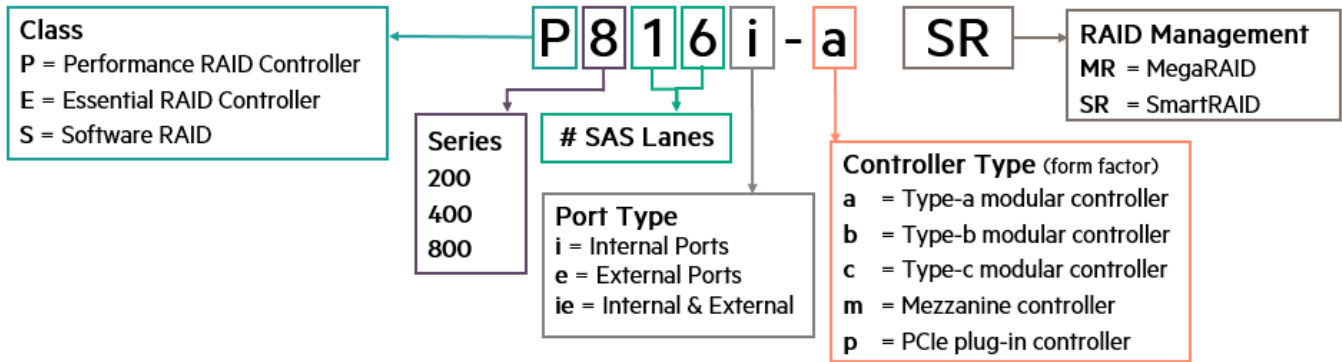
Server Support Table

| SKU | 869081-B21 | 830824-B21 | 804338-B21 | 869083-B21 |
|--------------------------------|---|---|--|--|
| Description | HPE Smart Array P408i-a SR Gen10 (8 Internal Lanes/2GB Cache) 12G SAS Modular LH Controller | HPE Smart Array P408i-p SR Gen10 (8 Internal Lanes/2GB Cache) 12G SAS PCIe Plug-in Controller | HPE Smart Array P816i-a SR Gen10 (16 Internal Lanes/4GB Cache/SmartCache) 12G SAS Modular Controller | HPE Smart Array P816i-a SR Gen10 (16 Int Lanes/4GB Cache/SmartCache) 12G SAS Modular LH Controller |
| HPE Apollo 2000-XL170r Gen10 | ✓ | | | |
| HPE Apollo 2000-XL190r Gen10 | ✓ | | | |
| HPE Apollo 4510-XL450 Gen10 | ✓ | | | |
| HPE Apollo 6000-XL230k Gen10 | ✓ | | | |
| HPE Apollo 6500-XL270D Gen10 | ✓ | | ✓ | |
| HPE ProLiantDL325 Gen10 | ✓ | | | ✓ |
| HPE ProLiant DL360 Gen10 | ✓ | ✓ | ✓ | ✓ |
| HPE ProLiant DL380 Gen10 | | ✓ | ✓ | |
| HPE ProLiant DL385 Gen10 | | ✓ | ✓ | |
| HPE ProLiant DL560 Gen10 | ✓ | ✓ | | ✓ |
| HPE ProLiant DL580 Gen10 | | ✓ | | |
| HPE ProLiant Microserver Gen10 | | | | |
| HPE ProLiant ML110 Gen10 | | ✓ | | |
| HPE ProLiant ML350 Gen10 | | ✓ | ✓ | |

Naming Framework The Gen10 controller naming framework is illustrated below to help simplify controller identification.



Standard Features



Warranty

The warranty for this device is 3 years parts only.

Warranty Upgrade Options

- Response - Upgrade on-site response from next business day to same day 4 hours.
- Coverage - Extend hours of coverage from 9 hours x 5 days to 24 hours x 7 days.
- Duration - Select duration of coverage for a period of 1, 3, or 5 years.
- Warranty upgrade options can come in the form of HPE Pointnext operational, which are sold at the HPE System level to which this product attaches.

XXXXXX-**X21** is SKU designation formed by a common six digit part number and a -**X21** suffix that identifies a SKU that is available across multiple server family lines. Refer to the table below to find the SKU suffix that applies to the specific server product line this option can be ordered with.

| -B21 | -H21 | -K21 |
|--|--|---|
| COMPUTE Server Line | SPECIALIZED COMPUTE Server Line | STORAGE Line |
| HPE Cloudline CL2100/CL2200/CL2800/CL3100/CL4100/CL5200/CL5800 Servers HPE Composable Cloud for ProLiant DL HPE ProLiant BL460c/BL660c Servers HPE ProLiant DL20/DL160/DL180 Servers HPE ProLiant DL325/DL360/DL380/DL385/DL560/DL580 Servers HPE ProLiant DX360/DX380 Servers HPE ProLiant MicroServer HPE ProLiant for Microsoft Azure Stack HPE ProLiant ML30/ML110/ML350 Servers HPE Synergy 480/660 Systems HPE ProLiant DX170r/DX190r, DX2000 Servers HPE ProLiant DX560 Gen10 server HPE ProLiant DX4200 Gen10 server | HPE Apollo 35/40/70 Systems HPE Apollo 2000/6000 Servers HPE XL170r/XL190r/XL270d (Apollo 6500) Gen10 Server for BlueData Software HPE Converged System 300/500/700/750 HPE Edgeline Systems and Servers HPE Integrity BL860c i6/BL870c i6/BL890c i6 Server Blades HPE Integrity MC990 X Server HPE Integrity rx2800 i6 Server HPE Integrity Superdome HPE SGI 8600 System HPE Solutions for SAP HANA (TDI) | HPE Apollo 4200 Gen9/Gen10 Servers HPE Apollo 4200 Gen10 LFF Server for BlueData Software HPE Apollo 4510 Gen10 System HPE D2220sb/D2500sb Storage Blade HPE D3000/D6020/D8000 Disk Enclosures HPE Scalable Object Storage with Scalality RING HPE SimpliVity 2600 HPE SimpliVity 325/380 Gen10 HPE Storage File Controllers HPE StoreEasy 1460/1560/1650/1660/1860 |
| | | Disclaimer: This may not be a complete listing of applicable servers |



Standard Features

| Standard Features Table for Performance RAID Controllers | | | | |
|--|--|--|--|--|
| Product | P408i-a SR | P816i-a SR | P408i-p SR | P408e-p SR |
| SKU | 804331-B21 & 869081-B21 | 804338-B21 & 869083-B21 | 830824-B21 | 804405-B21 |
| Form factor: Type-a modular controller | ✓ | ✓ | | |
| Form factor: Standard PCIe plug-in controller | | | ✓ | ✓ |
| Internal SAS lanes | 8 | 16 | 8 | |
| External SAS lanes | | | | 8 |
| Ports/Connectors | 2 (mini-SAS) | 4 (mini-SAS) | 2 (mini-SAS) | 2 (mini-SAS HD) |
| Cache size (FBWC) | 2 GB | 4 GB | 2 GB | 4 GB |
| Read ahead caching | ✓ | ✓ | ✓ | ✓ |
| Write-back caching | ✓ | ✓ | ✓ | ✓ |
| Storage protocol: 12G SAS | ✓ | ✓ | ✓ | ✓ |
| Storage protocol: 6G SATA | ✓ | ✓ | ✓ | ✓ |
| I/O slot: PCI Express 3.0 | x8 link | x8 link | x8 link | x8 link |
| Maximum physical drives (up to) | 238 | 238 | 238 | 238 |
| Maximum logical drives | 64 | 64 | 64 | 64 |
| RAID:0/1/5/6/10/50/60/1TP/10TP | ✓ | ✓ | ✓ | ✓ |
| Mixed Mode (RAID & HBA/JBOD) | ✓ | ✓ | ✓ | ✓ |
| Boot mode: UEFI | ✓ | ✓ | ✓ | ✓ |
| Boot mode: Legacy | ✓ | ✓ | ✓ | ✓ |
| SSD Accelerator | Smart Path | Smart Path | Smart Path | Smart Path |
| HPE Smart Array SR Secure Encryption (license) | Optional | Optional | Optional | Optional |
| SSD Caching | Optional (SmartCache) | Enabled (SmartCache) | Optional (SmartCache) | Optional (SmartCache) |
| FIPS 140-2 Level 1 | ✓ | ✓ | ✓ | ✓ |
| HPE OneView Support | ✓ | ✓ | ✓ | ✓ |
| Kit contents | Controller, documentation information card, warranty statement, and battery required card. | Controller, documentation information card, warranty statement, and battery required card. | Controller, documentation information card, warranty statement, battery required card, controller backup power cable, and low-profile bracket. | Controller, documentation information card, warranty statement, battery required card, controller backup power cable, and low-profile bracket. |



Standard Features

| Standard Features Table for Essential RAID Controllers | | | |
|--|--|---|---|
| Product | E208i-a SR | E208i-p SR | E208e-p SR |
| SKU | 804326-B21 869079-B21 | 804394-B21 | 804398-B21 |
| Form factor: Type-a modular controller | ✓ | | |
| Form factor: Standard plug-in controller | | ✓ | ✓ |
| Internal lanes | 8 | 8 | |
| External lanes | | | 8 |
| Ports/Connectors | 2 (mini-SAS) | 2 (mini-SAS) | 2 (mini-SAS HD) |
| Cache size (FBWC) | | | |
| Read ahead caching | | | |
| Write-back caching | | | |
| Storage protocol: 12G SAS | ✓ | ✓ | ✓ |
| Storage protocol: 6G SATA | ✓ | ✓ | ✓ |
| I/O slot: PCI Express 3.0 | x8 link | x8 link | x8 link |
| Maximum physical drives (up to) | 238 | 238 | 238 |
| Maximum logical drives | 64 | 64 | 64 |
| RAID: 0/1/5/10 | ✓ | ✓ | ✓ |
| Mixed mode (RAID & HBA) | ✓ | ✓ | ✓ |
| Boot mode: UEFI | ✓ | ✓ | ✓ |
| Boot mode: Legacy | ✓ | ✓ | ✓ |
| SSD Accelerator | Smart Path | Smart Path | Smart Path |
| HPE Smart Array SR Secure Encryption (license) | Optional | Optional | Optional |
| SSD Caching | | | |
| FIPS 140-2 Level 1 | | | |
| HPE OneView Support | ✓ | ✓ | ✓ |
| Kit contents | controller, documentation information card, and warranty statement | Controller, documentation information card, warranty statement, and low-profile bracket | Controller, documentation information card, warranty statement, and low-profile bracket |



Compatibility

Operating System Support

Microsoft Windows Server

Red Hat Enterprise Linux (RHEL)

SUSE Linux Enterprise Server (SLES)

VMware ESXi

Canonical Ubuntu*

CentOS*

ClearOS*

Notes: HPE Smart Array controllers are supported by the server operating system. Please also see the server operating system compatibility. For more information on HPE's server operating systems and virtualization software, please visit:

<http://www.hpe.com/info/ossupport>

Storage Management Software Suite

HPE Smart Array SR Gen10 Controllers

HPE Smart Storage Administrator (SSA) GUI
HPE Smart Storage Administrator (SSA) CLI
HPE Smart Storage Administrator (SSA) Scripting
HPE Intelligent Provisioning
UEFI System Utilities (storage configuration)
UEFI Storage RESTful

HPE Smart Array MR Gen10 Controllers

HPE MR Storage Administrator
HPE StorCLI
UEFI System Utilities (storage configuration)

Notes: For additional information see the HPE Smart Array SR Gen10 Configuration Guide at:

<http://www.hpe.com/info/SmartArrayGen10-docs>

Disk Enclosure Support

E208e-p SR Gen10 Controller (804398-B21)

HPE D3610 Disk Enclosure
HPE D3710 Disk Enclosure
HPE D6020 Disk Enclosure
HPE MSA 1040 SAN Storage
HPE MSA 1050 SAN Storage
HPE MSA 2040 SAN Storage
HPE MSA 2050 SAN Storage

P408e-p SR Gen10 Controller (804405-B21)

HPE D3610 Disk Enclosure
HPE D3710 Disk Enclosure
HPE D6020 Disk Enclosure



Compatibility

Additional Information

HPE Smart Array SR Gen10 Controllers

For additional information on the features for HPE Smart Array SR Gen10 Controllers, please see the HPE Smart Array SR Gen10 User Guide, HPE Smart Array SR Gen10 Configuration Guide, and HPE Smart Array SR Secure Encryption Installation and User Guide at: <http://www.hpe.com/info/SmartArrayGen10-docs>



Service and Support

HPE Pointnext - Service and Support

Get the most from your HPE Products. Get the expertise you need at every step of your IT journey with **HPE Pointnext Services**. We help you lower your risks and overall costs using automation and methodologies that have been tested and refined by HPE experts through thousands of deployments globally. HPE Pointnext **Advisory Services** focus on your business outcomes and goals, partnering with you to design your transformation and build a roadmap tuned to your unique challenges. Our **Professional** and **Operational Services** can be leveraged to speed up time-to-production, boost performance and accelerate your business. HPE Pointnext specializes in flawless and on-time implementation, on-budget execution, and creative configurations that get the most out of software and hardware alike.

Consume IT on your terms

HPE GreenLake brings the cloud experience directly to your apps and data wherever they are—the edge, colocations, or your data center. It delivers cloud services for on-premises IT infrastructure specifically tailored to your most demanding workloads. With a pay-per-use, scalable, point-and-click self-service experience that is managed for you, HPE GreenLake accelerates digital transformation in a distributed, edge-to-cloud world.

- Get faster time to market
- Save on TCO, align costs to business
- Scale quickly, meet unpredictable demand
- Simplify IT operations across your data centers and clouds

Managed services to run your IT operations

HPE GreenLake Management Services provides services that monitor, operate, and optimize your infrastructure and applications, delivered consistently and globally to give you unified control and let you focus on innovation.

Recommended Services

HPE Pointnext Tech Care.

HPE Pointnext Tech Care is the new operational service experience for HPE products. Tech Care goes beyond traditional support by providing access to product specific experts, an AI driven digital experience, and general technical guidance to not only reduce risk but constantly search for ways to do things better. HPE Pointnext Tech Care has been reimagined from the ground up to support a customer-centric, AI driven, and digitally enabled customer experience to move your business forward. HPE Pointnext Tech Care is available in three response levels. Basic, which provides 9x5 business hour availability and a 2 hour response time. Essential which provides a 15 minute response time 24x7 for most enterprise level customers, and Critical which includes a 6 hour repair commitment where available and outage management response for severity 1 incidents.

<https://www.hpe.com/services/techcare>

HPE Pointnext Complete Care

HPE Pointnext Complete Care is a modular, edge-to-cloud IT environment service that provides a holistic approach to optimizing your entire IT environment and achieving agreed upon IT outcomes and business goals through a personalized and customer-centric experience. All delivered by an assigned team of HPE Pointnext Services experts. HPE Pointnext Complete Care provides:

- A complete coverage approach -- edge to cloud
- An assigned HPE team
- Modular and fully personalized engagement
- Enhanced Incident Management experience with priority access
- Digitally enabled and AI driven customer experience

<https://www.hpe.com/services/completecure>

HPE Education Services



Service and Support

Keep your IT staff trained making sure they have the right skills to deliver on your business outcomes. Book on a class today and learn how to get the most from your technology investment. <http://www.hpe.com/ww/learn>

HPE Support Center

The HPE Support Center is a personalized online support portal with access to information, tools and experts to support HPE business products. Submit support cases online, chat with HPE experts, access support resources or collaborate with peers.

Learn more <http://www.hpe.com/support/hpesc>

HPE's Support Center Mobile App* allows you to resolve issues yourself or quickly connect to an agent for live support. Now, you can get access to personalized IT support anywhere, anytime. HPE Insight Remote Support and HPE Support Center are available at no additional cost with a HPE warranty, HPE Support Service or HPE contractual support agreement.

*HPE Support Center Mobile App is subject to local availability



Service and Support

Parts and Materials

Hewlett Packard Enterprise will provide HPE-supported replacement parts and materials necessary to maintain the covered hardware product in operating condition, including parts and materials for available and recommended engineering improvements.

Parts and components that have reached their maximum supported lifetime and/or the maximum usage limitations as set forth in the manufacturer's operating manual, product QuickSpecs, or the technical product data sheet will not be provided, repaired, or replaced as part of these services.

The defective media retention service feature option applies only to Disk or eligible SSD/Flash Drives replaced by Hewlett Packard Enterprise due to malfunction.

Related Services

HPE Server Hardware Installation

Provides for the basic hardware installation of HPE branded servers, storage devices and networking options to assist you in bringing your new hardware into operation in a timely and professional manner.

<https://www.hpe.com/h20195/V2/GetPDF.aspx/5981-9356EN.pdf>

HPE Installation and Startup Service

provides for the installation and startup of HPE technology including BladeSystems, C-Class enclosure, HPE ProLiant c-Class and Integrity server blades, storage blades, SAN switch blades, HPE Virtual Connect modules (Ethernet and Fibre Channel), Ethernet network interconnects, and InfiniBand, as well as the installation of one supported operating system type (Windows® or Linux).

Notes: The Smart Array controller is covered under the HPE Service Contract applied to the HPE ProLiant Server. No separate HPE support services need to be purchased.

- Warranty and Support Services will extend to include HPE options configured with your server or storage device. The price of support service is not impacted by configuration details. HPE sourced options that are compatible with your product will be covered under your server support at the same level of coverage allowing you to upgrade freely. Installation for HPE options is available as needed. To keep support costs low for everyone, some high value options will require additional support. Additional support is only required on select high value workload accelerators, fibre switches, InfiniBand and UPS batteries over 12KVA. See the specific high value options that require additional support [HERE](#)

Additional Service Information

<http://www.hpe.com/services>



Related Options

HPE Smart Array SR SmartCache

HPE Smart Array SR SmartCache (Single Key/Single Server) LTU

D7S26A

Single-Server License

Used to purchase a license for one server.

Contains one license per server, a printed license entitlement certificate, end user license agreement, and license key installation card **delivered via physical shipment**. The license entitlement certificate must be redeemed online or via fax in order to obtain the license activation key(s). Include one year of 24x7 HPE Software Technical Support Services.

HPE Smart Array SR SmartCache (Single Key/Multiple Servers) LTU

D7S27A

Flexible-Quantity License

Used to purchase multiple licenses with a single activation key.

Contains license(s) for a customer defined quantity of servers, a license entitlement certificate for the quantity of licenses purchased, end user license agreement, and license key installation card **delivered via physical shipment**. The license entitlement certificate must be redeemed online or via fax in order to obtain the license activation key(s). Include one year of 24x7 HPE Software Technical Support Services.

HPE Smart Array SR SmartCache (Single Key/Multiple Servers) E-LTU

D7S27AAE

Flexible-Quantity Electronic License

Used to purchase multiple licenses with a single activation key.

Contains license(s) for a customer defined quantity of servers, a license entitlement certificate for the quantity of licenses purchased, end user license agreement, and license key installation information **delivered via e-mail**. The license entitlement certificate must be redeemed online or via fax in order to obtain the license activation key(s). Include one year of 24x7 HPE Software Technical Support Services.

Notes: For more information please visit: <http://www.hpe.com/servers/smartcache>

HPE Smart Array SR Secure Encryption

HPE Smart Array SR Secure Encryption (Data at Rest Encryption/per Server Entitlement) E-LTU

Q2F26AAE

Notes: HPE Smart Array SR Secure Encryption licensing is based on the number of servers requiring encryption for direct attached storage.

Notes: For more information visit: <http://www.hpe.com/servers/secureencryption> or see the HPE Smart Array SR Secure Encryption Installation and User Guide at: <http://www.hpe.com/info/SmartArrayGen10-docs>.

HPE 96W Smart Storage Lithium-ion Battery with 145mm Cable Kit

P01366-B21

HPE 96W Smart Storage Lithium-ion Battery with 260mm Cable Kit

P01367-B21

Notes: Smart Array Gen10 controllers are supported by the HPE Smart Storage Battery. This battery supports multiple devices and is sold separately.

Notes: See server QuickSpecs for compatibility.



Related Options

HPE Smart Storage Hybrid Capacitor

HPE Smart Storage Hybrid Capacitor with 145mm Cable Kit

P02377-B21

HPE Smart Storage Hybrid Capacitor with 260mm Cable Kit

P02381-B21

Notes: The HPE Smart Storage Hybrid Capacitor is only supported on Gen10 servers or later.

Before installing the HPE Smart Storage Hybrid Capacitor, verify that the system BIOS meets the minimum firmware requirements to support the hybrid capacitor module.



Summary of Changes

| Date | Version History | Action | Description of Change |
|-------------|-----------------|---------|---|
| 15-Nov-2021 | Version 6 | Changed | Service and Support Section was updated |
| 07-Oct-2019 | Version 5 | Changed | Standard Features Section was updated |
| 15-Jul-2019 | Version 4 | Added | Standard Features section was updated |
| 02-Apr-2019 | Version 3 | Changed | Related Options & Compatibility Sections were updated |
| 01-Oct-2018 | Version 2 | Changed | Overview were revised. |
| 04-Sep-2018 | Version 1 | New | New QuickSpecs |



Copyright

Make the right purchase decision.
Contact our presales specialists.



Chat



Email



Call



Get updates



© Copyright 2021 Hewlett Packard Enterprise Development L.P. The information contained herein is subject to change without notice. The only warranties for Hewlett Packard Enterprise products and services are set forth in the express warranty statements accompanying such products and services. Nothing herein should be construed as constituting an additional warranty. Hewlett Packard Enterprise shall not be liable for technical or editorial errors or omissions contained herein.

a00047736enw - 16273 - Worldwide - V6 - 15-November-2021