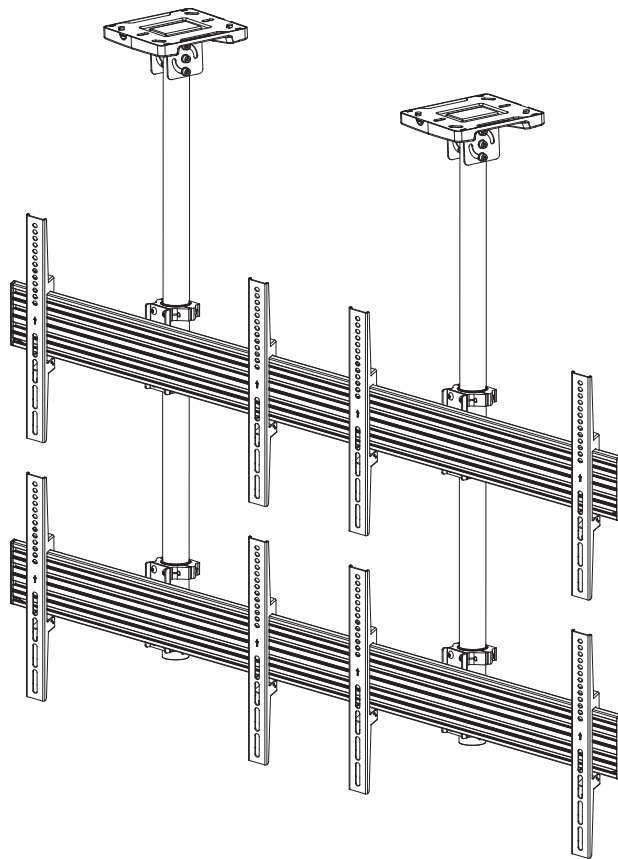


# NEOMOUNTS PRO

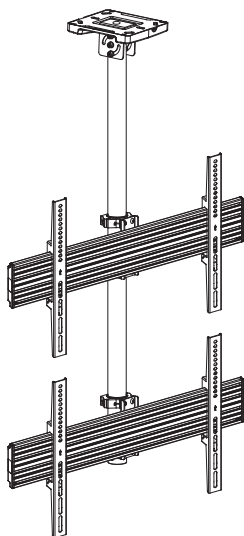
## BY NEWSTAR



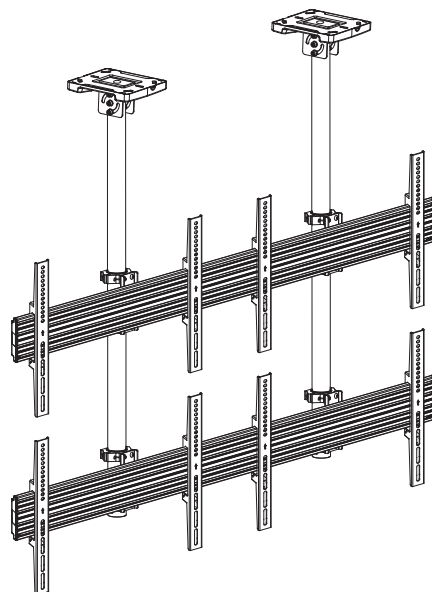
**MULTIPLE CEILING MOUNT**

**This instruction is applicable to all the following models and related extended products**

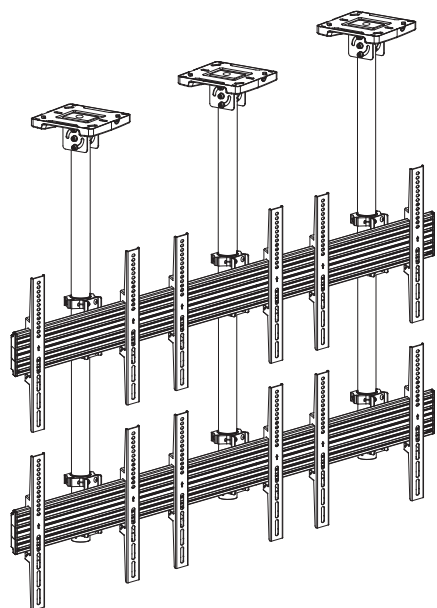
**NMPRO-C12** (With fixed arms)



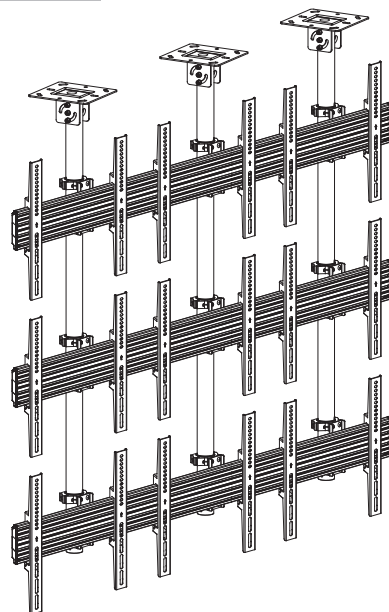
**NMPRO-C22** (With fixed arms)



**NMPRO-C32** (With fixed arms)







**NMPRO-C33** (With fixed arms)









**! WARNING**

- Be sure to read this entire manual thoroughly and you fully understand all the instructions and warning before attempting to begin your installation.
- This products should only be installed by someone who has a basic knowledge of building constructio installations and fully undestnd these instrudtions.
- Always have someone assit you to lift and position your equipment.
- Tighten screws and bolts firmly, but do not over tighten. Over tightening can damage the item and greatly reduce their ability to hold.Please refer to suggested torque values where applicable in these instructions.







## Parts list (NMPRO-C12)

| A1  | A2   | A3   | A4   |
|---|--|--|--|
| M5X15<br> | M6X15<br> | M8X15<br> | Ø6XØ6.2X1.5<br> |
| X4  | X4   | X4   | X4   |

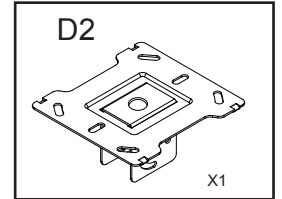
X2

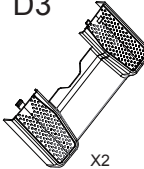
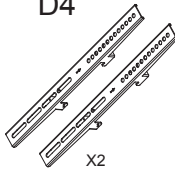
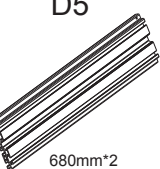
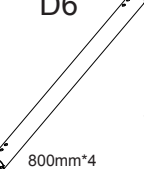
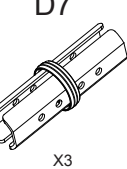
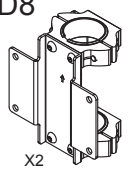
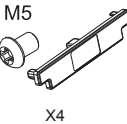
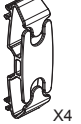

| B1   | B2   | B3   | B4   | B5  | B6   |
|--|--|--|--|---|--|
| Open-wrench<br> | 5mm<br> | 6mm<br> | M8X12<br> | Ø16XØ8.2X1.5<br> |  |
| X1   | X1   | X1   | X8   | X8  | X8   |

X1





| C1  | C2   | C3   | C4  | C5  | C6  |
|---|--|--|---|---|---|
| M8x70<br> | Ø6XØ8.2X1.5<br> | M8x60<br> | M8<br> | Lag bolt<br> | Anchor<br> |
| X3  | X12  | X1   | X4  | X6  | X6  |

X1









| D3   | D4  | D5  | D6  | D7  | D8   | D9  | D10   | D11   |
|--|---|---|---|---|--|---|---|---|
|  |  |  |  |  |  |  |  |  |
| X2   | X2  | 680mm*2   | 800mm*4   | X3  | X2   | X4  | X4  | X1  |







## Parts list (NMPRO-C22)

| A1  | A2   | A3   | A4   |
|---|--|--|--|
| M5X15<br> | M6X15<br> | M8X15<br> | Ø6XØ6.2X1.5<br> |
| X4  | X4   | X4   | X4   |

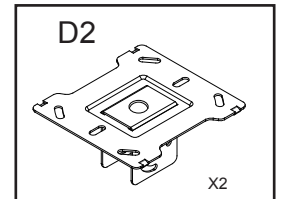
X4

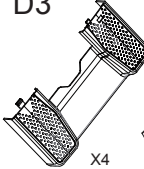
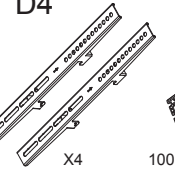
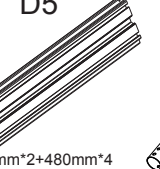
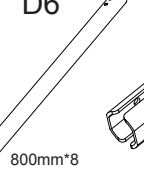
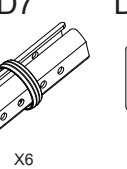
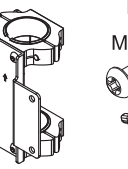
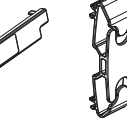

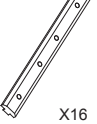
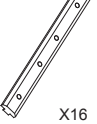
| B1  | B2  | B3  | B4   | B5  | B6  |
|---|---|---|--|---|---|
| Open-wrench<br> | 5mm 3mm<br> | 6mm<br> | M8X12<br> | Ø16XØ8.2X1.5<br> |  |
| X1  | X1  | X1  | X16  | X16   | X16   |

X1





| C1  | C2   | C3   | C4  | C5  | C6  |
|---|--|--|---|---|---|
| M8x70<br> | Ø6XØ8.2X1.5<br> | M8x60<br> | M8<br> | Lag bolt<br> | Anchor<br> |
| X3  | X12  | X1   | X4  | X6  | X6  |

X2

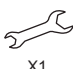







| D3   | D4  | D5  | D6  | D7  | D8   | D9  | D10   | D11   | D12   |
|--|---|---|---|---|--|---|---|---|---|
|  |  |  |  |  |  |  |  |  |  |
| X4   | X4  | 1000mm*2+480mm*4  | 800mm*8   | X6  | X4   | X4  | X8  | X2  | X16   |







## Parts list (NMPRO-C32)

| A1  | A2   | A3   | A4   |
|---|--|--|--|
| M5X15<br> | M6X15<br> | M8X15<br> | Ø6XØ6.2X1.5<br> |
| X4  | X4   | X4   | X4   |

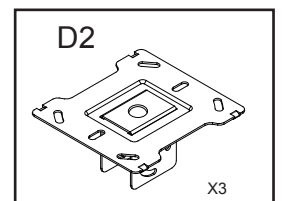
X6

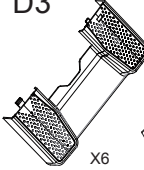
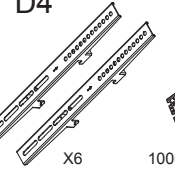
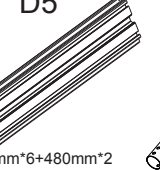
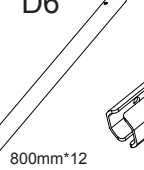
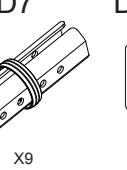
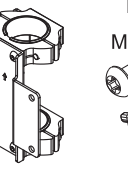
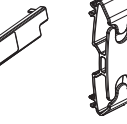

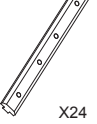
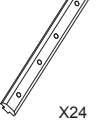
| B1   | B2   | B3   | B4   | B5  | B6  |
|--|--|--|--|---|---|
| Open-wrench<br> | 5mm 3mm<br> | 6mm<br> | M8X12<br> | Ø16XØ8.2X1.5<br> |  |
| X1   | X1   | X1   | X24  | X24   | X24   |

X1

| C1  | C2   | C3   | C4  | C5  | C6  |
|---|--|--|---|---|---|
| M8x70<br> | Ø6XØ8.2X1.5<br> | M8x60<br> | M8<br> | Lag bolt<br> | Anchor<br> |
| X3  | X12  | X1   | X4  | X6  | X6  |

X3



| D3   | D4  | D5  | D6  | D7  | D8   | D9  | D10   | D11   | D12   |
|--|---|---|---|---|--|---|---|---|---|
|  |  |  |  |  |  |  |  |  |  |
| X6   | X6  | 1000mm*6+480mm*2  | 800mm*12  | X9  | X6   | X4  | X12   | X3  | X24   |

# Parts list (NMPRO-C33)

|       |       |       |             |
|-------|-------|-------|-------------|
| A1    | A2    | A3    | A4          |
| M5x15 | M6X15 | M8X15 | Ø6XØ6.2X1.5 |
|       |       |       |             |
| X4    | X4    | X4    | X4          |

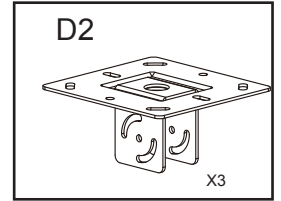
X9

|             |         |     |       |              |     |
|-------------|---------|-----|-------|--------------|-----|
| B1          | B2      | B3  | B4    | B5           | B6  |
| Open-wrench | 5mm 3mm | 6mm | M8X12 | Ø16XØ8.2X1.5 |     |
|             |         |     |       |              |     |
| X1          | X1      | X1  | X38   | X38          | X38 |

X1

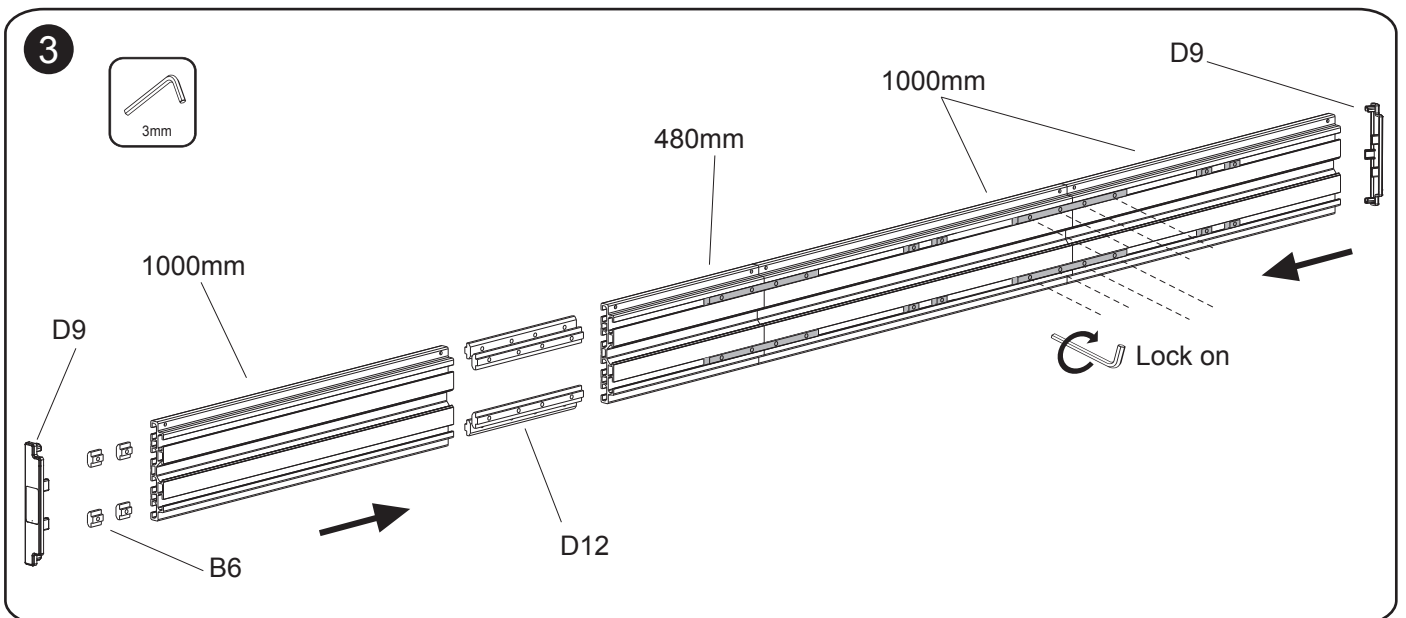
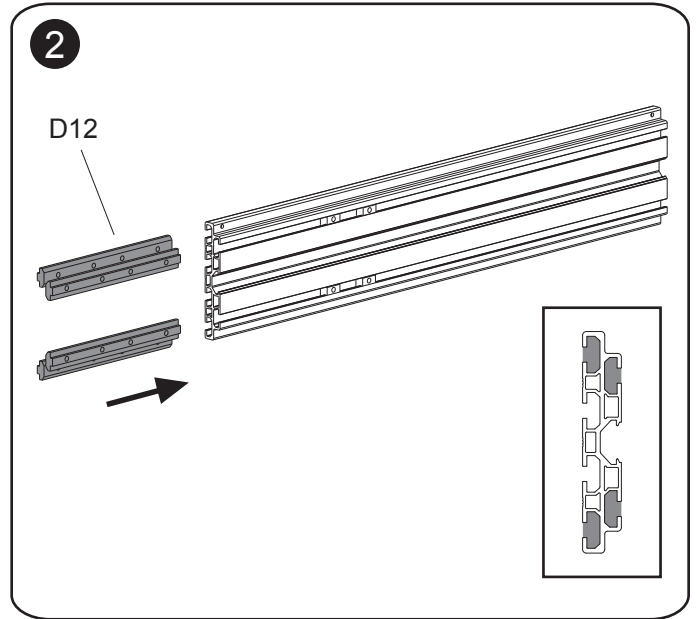
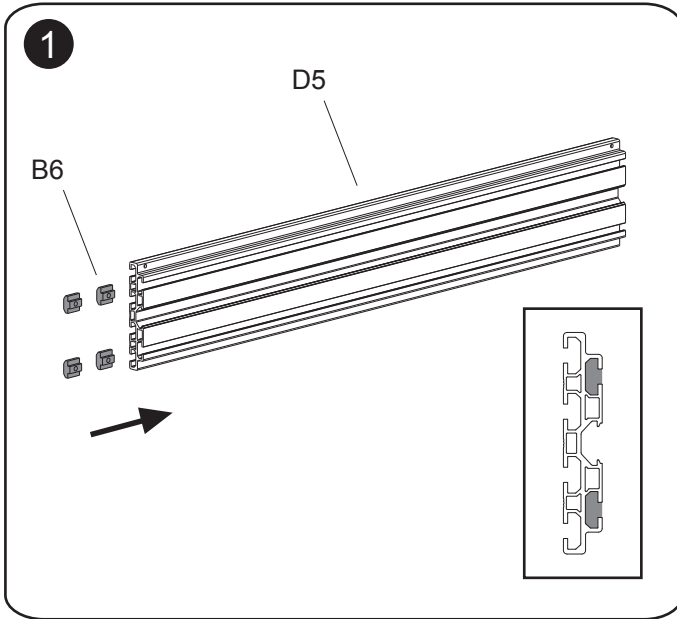
|       |             |       |    |          |        |
|-------|-------------|-------|----|----------|--------|
| C1    | C2          | C3    | C4 | C5       | C6     |
| M8x70 | Ø6xØ8.2X1.5 | M8x60 | M8 | Lag bolt | Anchor |
|       |             |       |    |          |        |
| X3    | X12         | X1    | X4 | X6       | X6     |

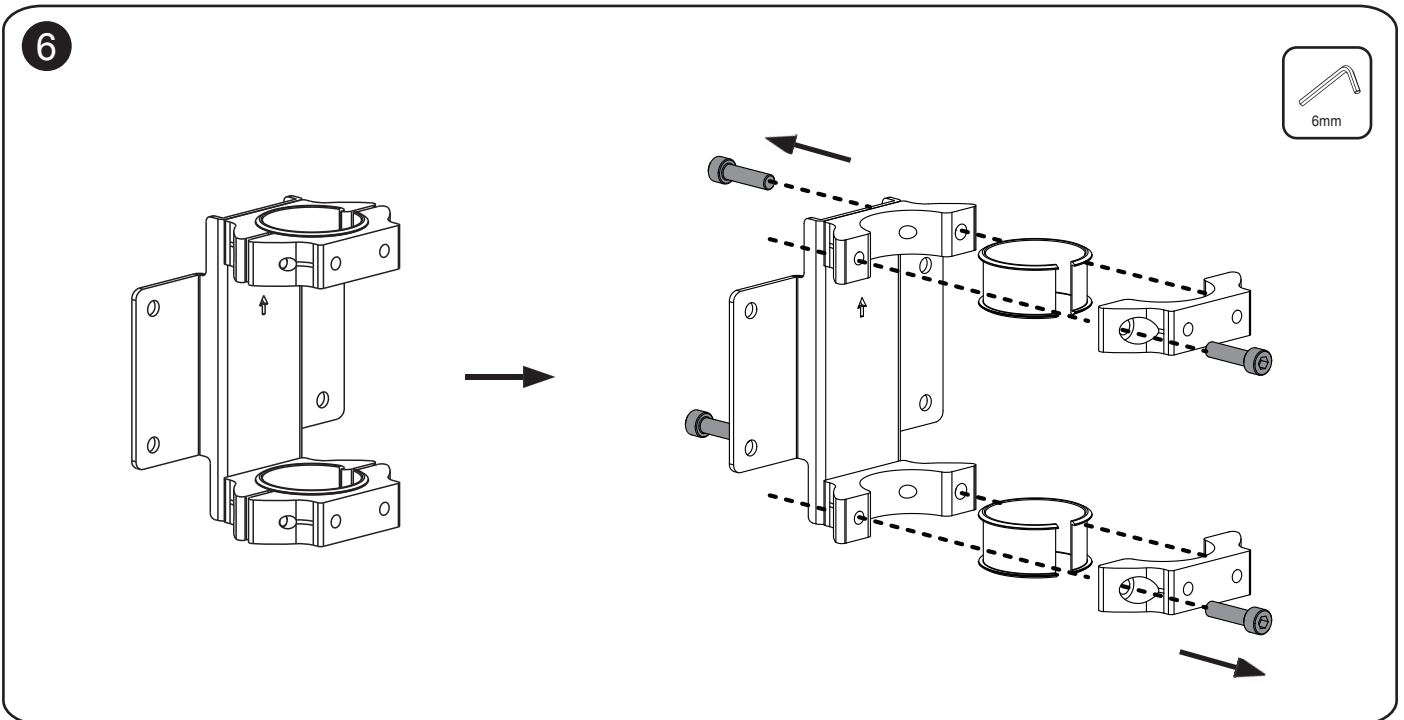
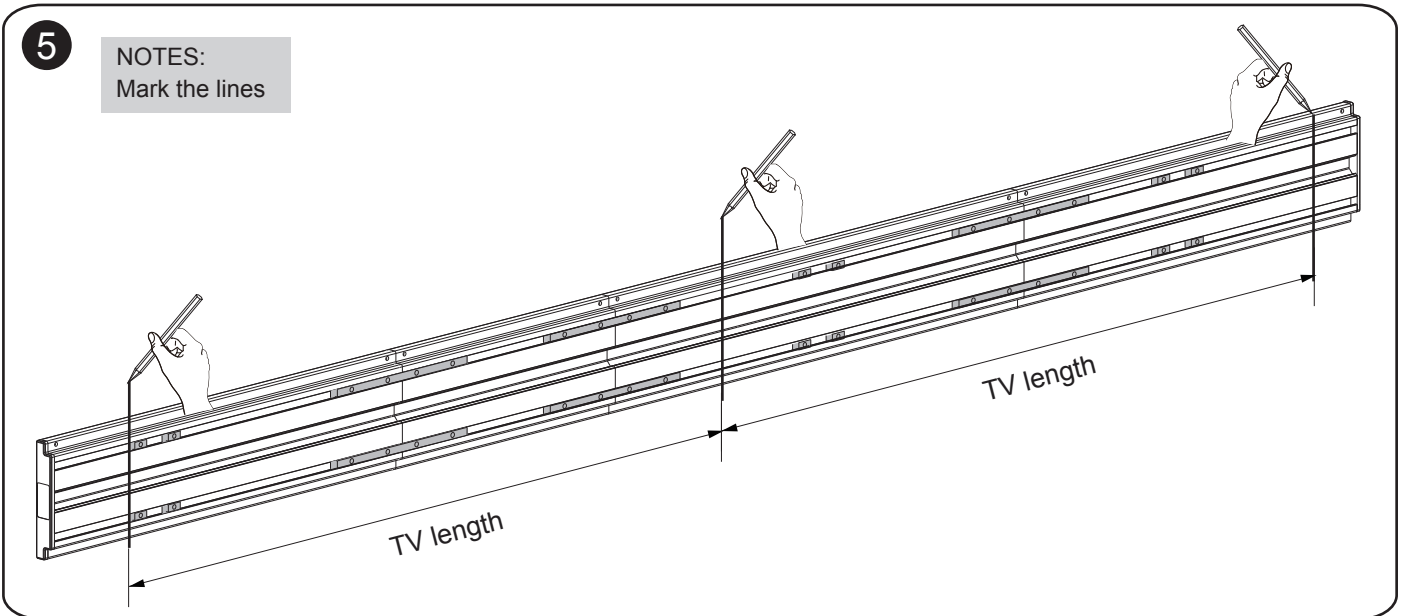
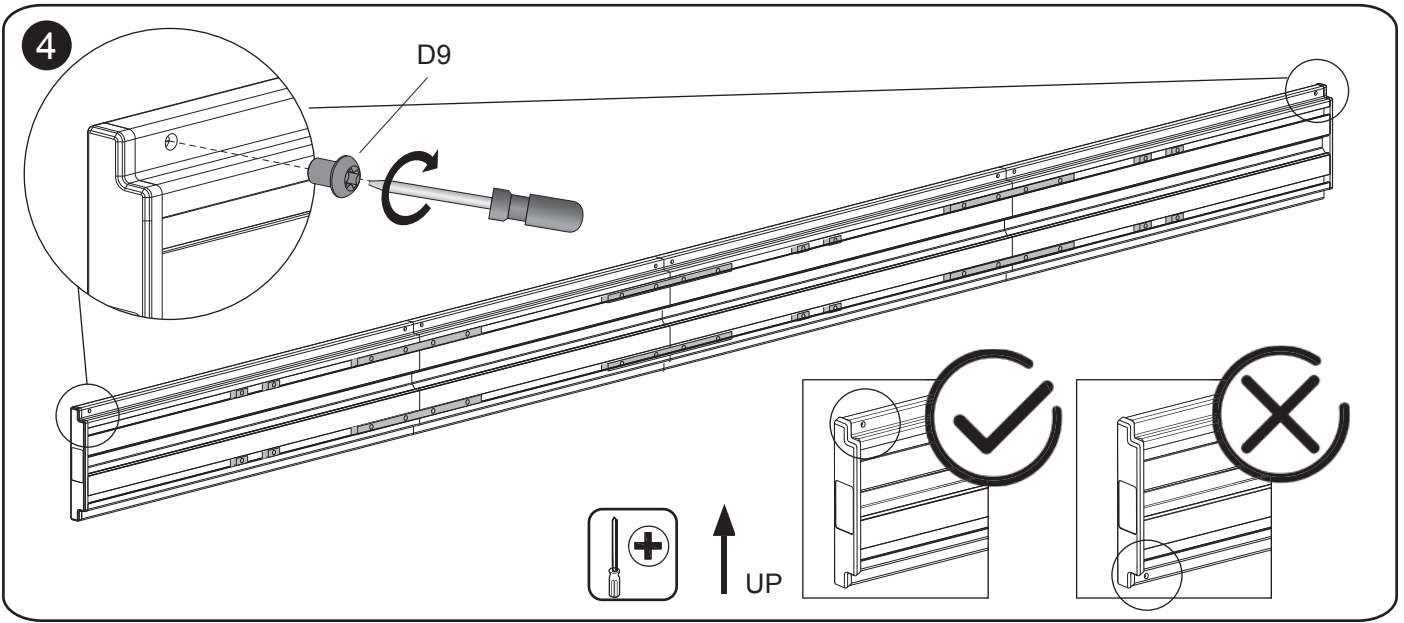
X3



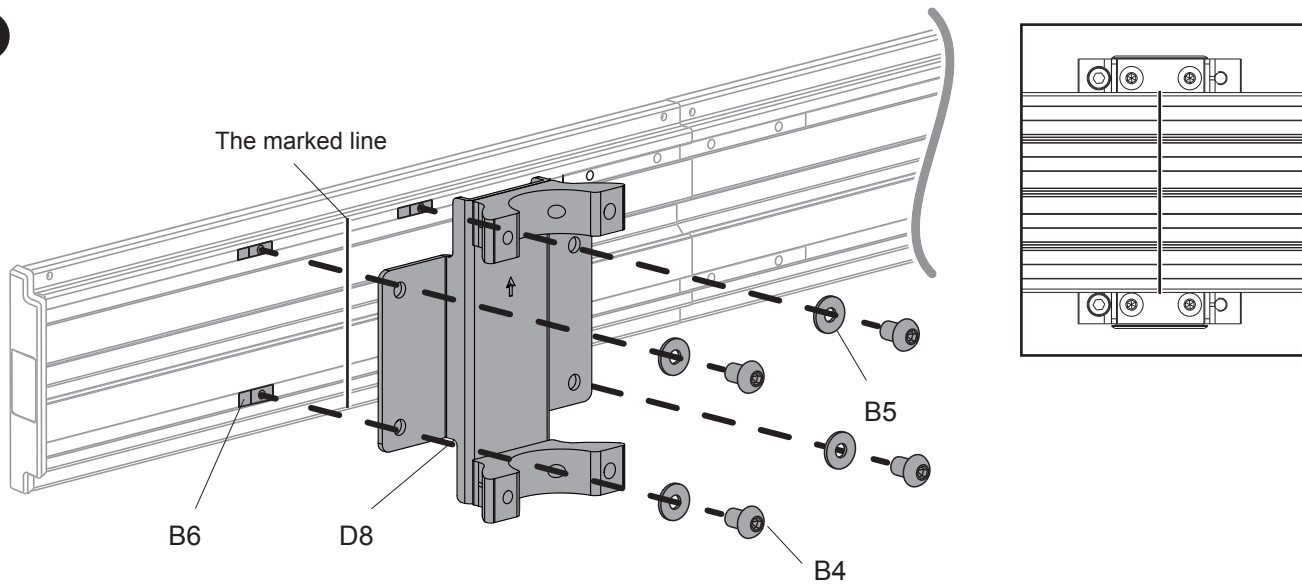
|    |                  |          |    |    |       |     |     |     |
|----|------------------|----------|----|----|-------|-----|-----|-----|
| D4 | D5               | D6       | D7 | D8 | D9    | D10 | D11 | D12 |
|    |                  |          |    |    |       |     |     |     |
| X9 | 1000mm*9+480mm*3 | 800mm*12 | X9 | X9 | M5 X6 | X18 | X3  | X36 |

## Installation





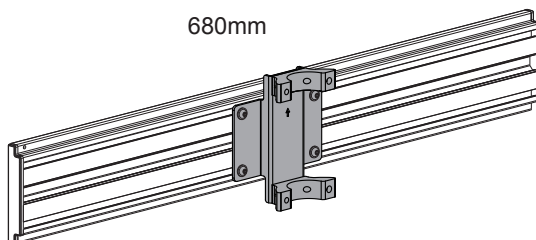
7



8

NMPRO-C12

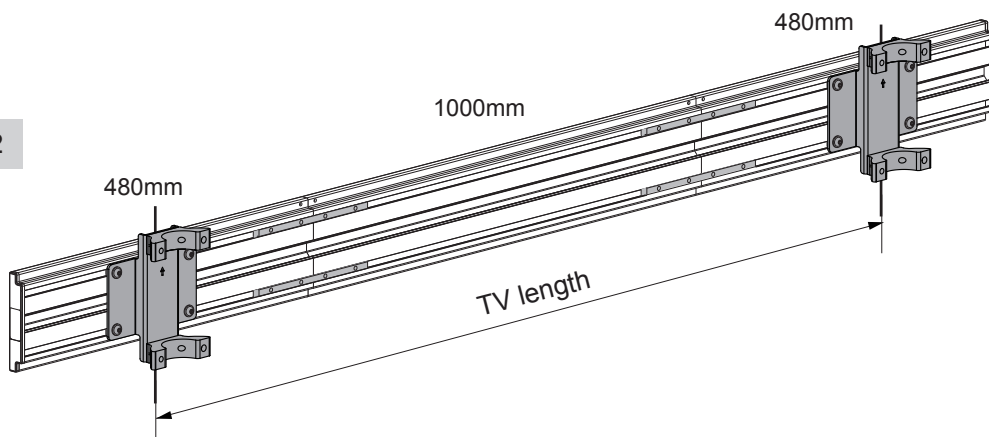
680mm



NMPRO-C22

1000mm

480mm



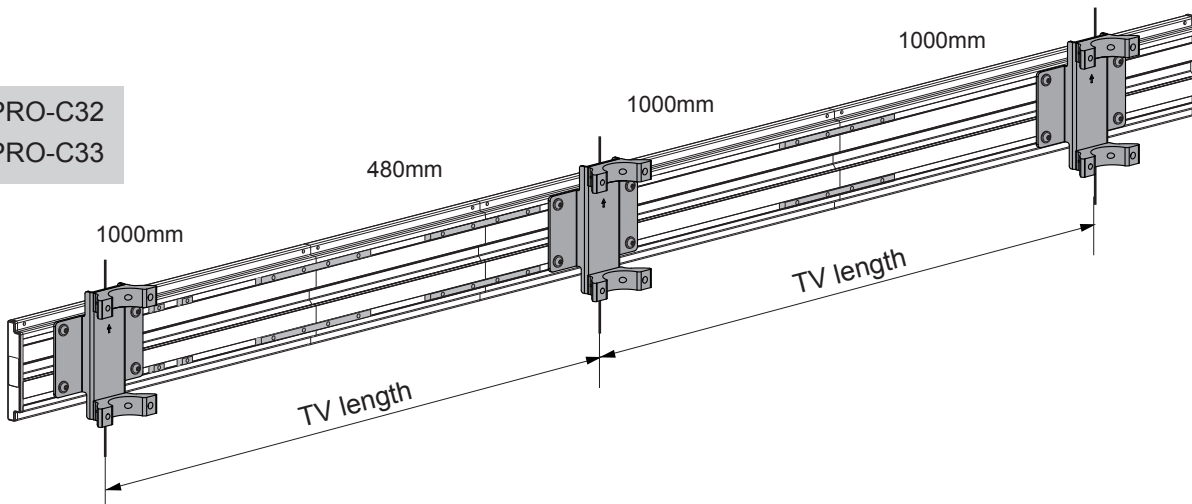
NMPRO-C32

NMPRO-C33

1000mm

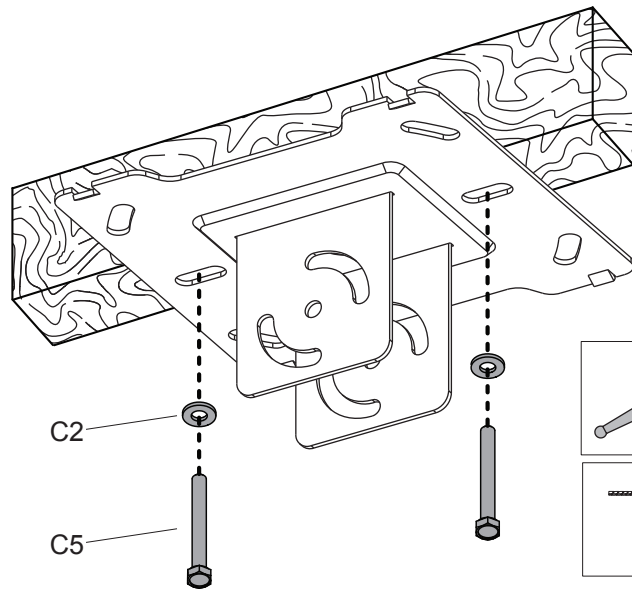
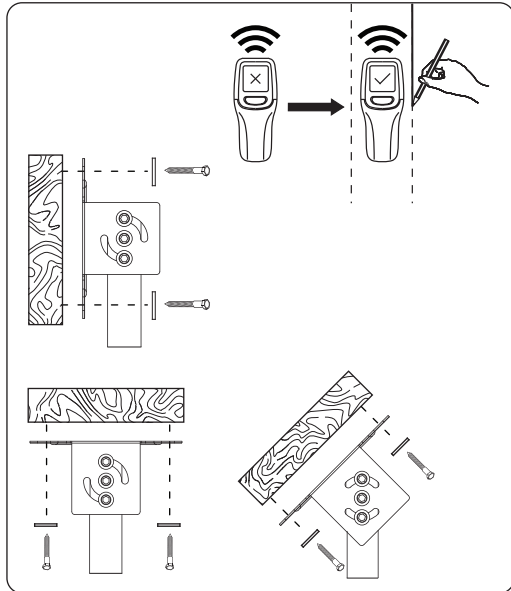
1000mm

480mm

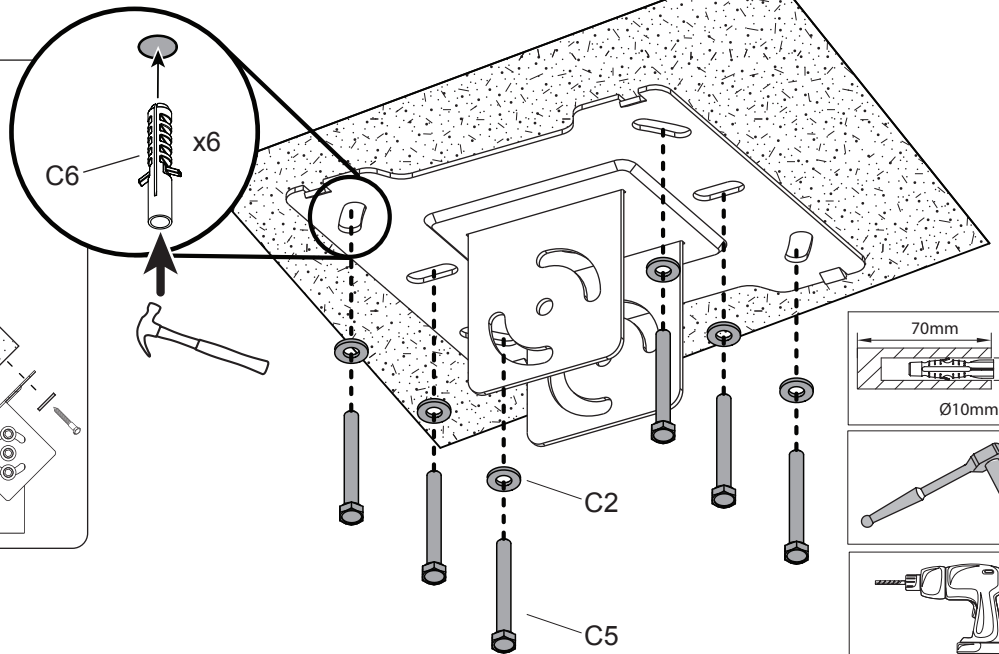
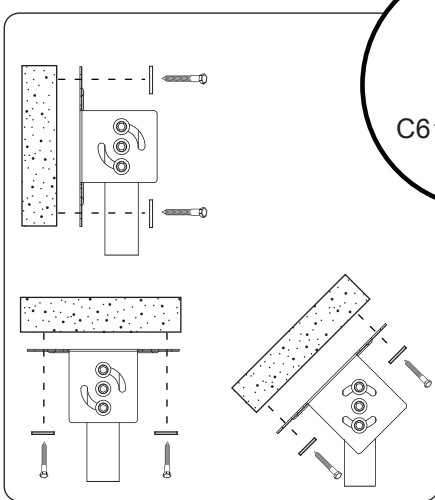


9

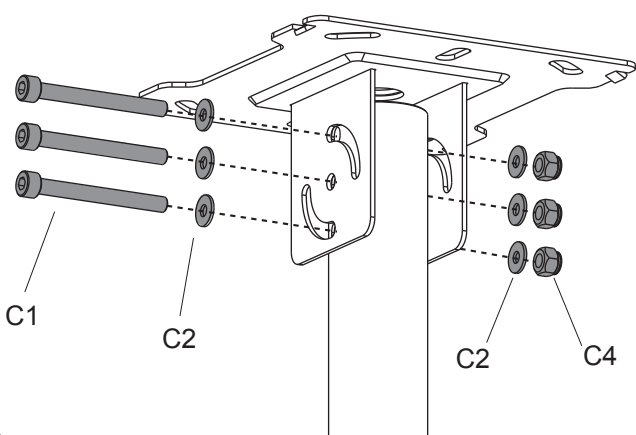
WOOD



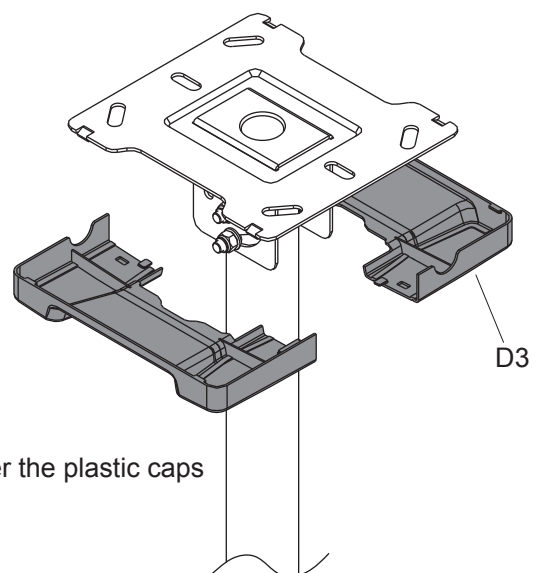
BRICK OR CONCRETE

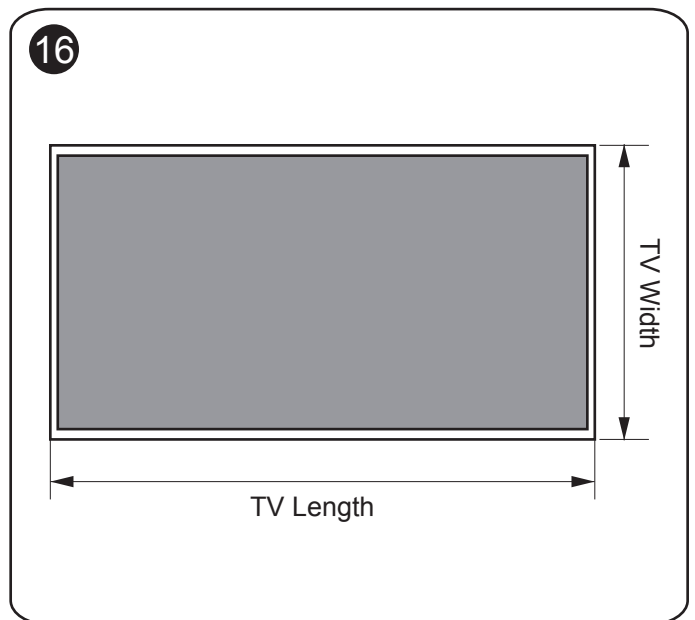
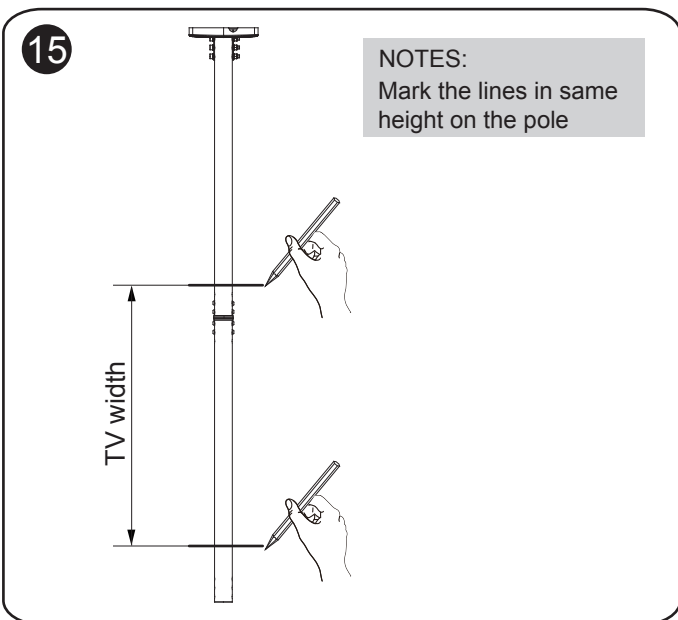
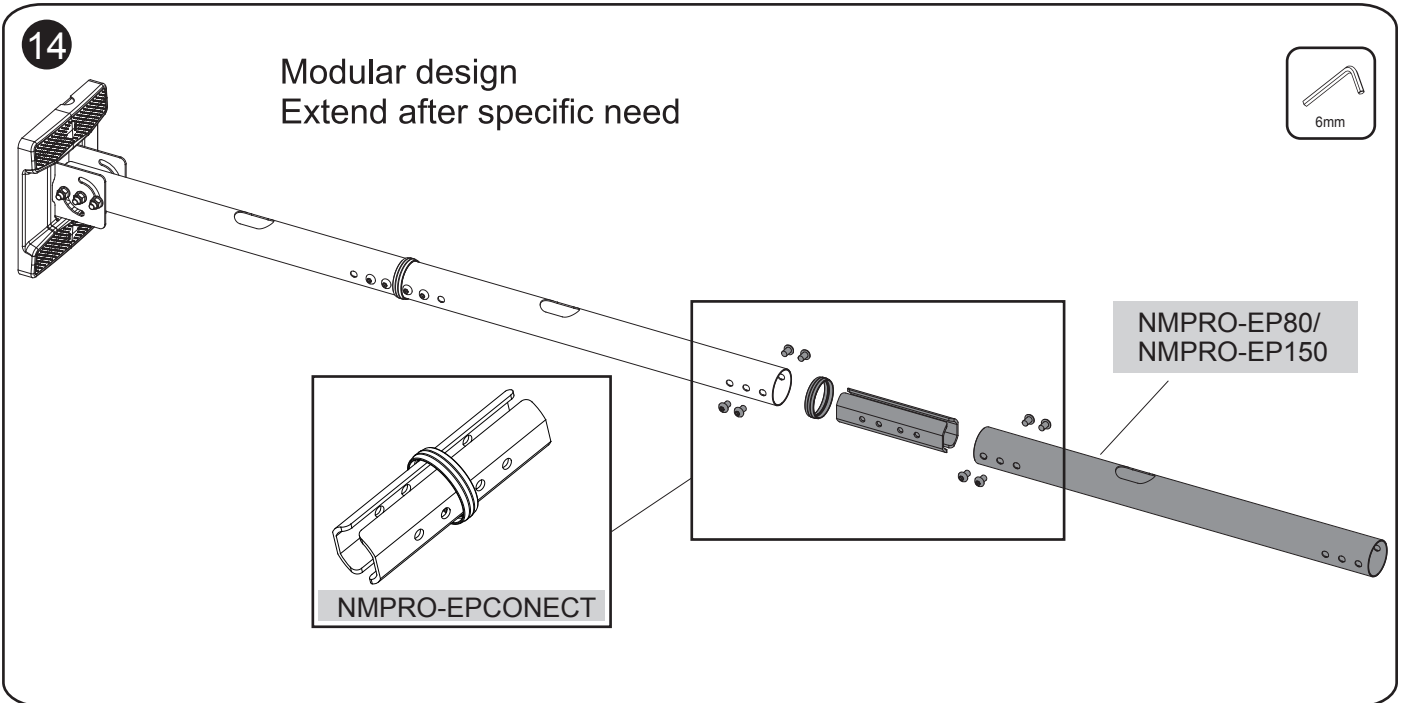
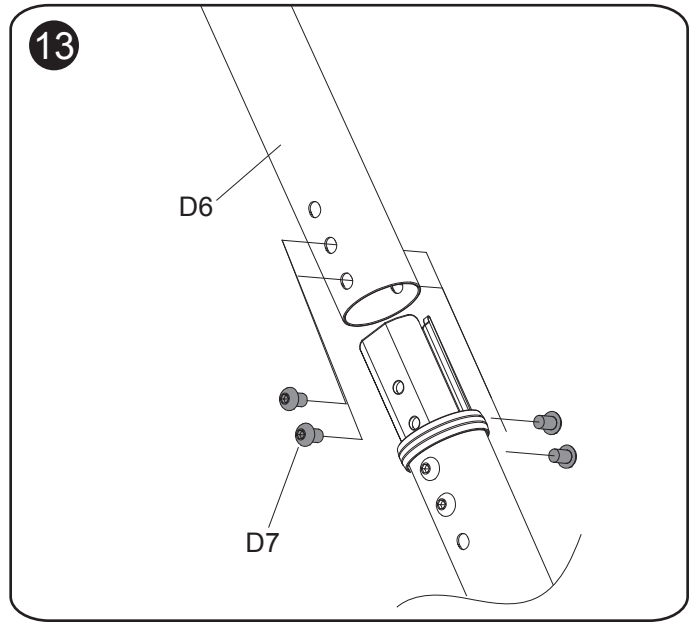
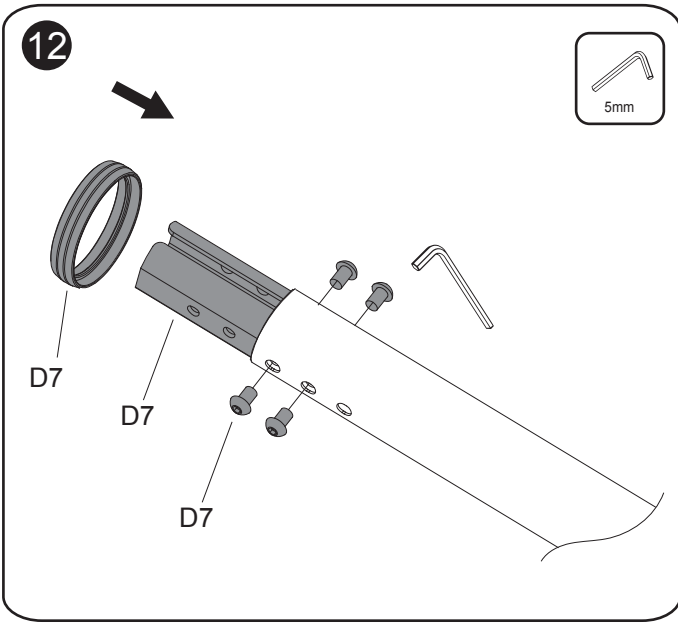


10



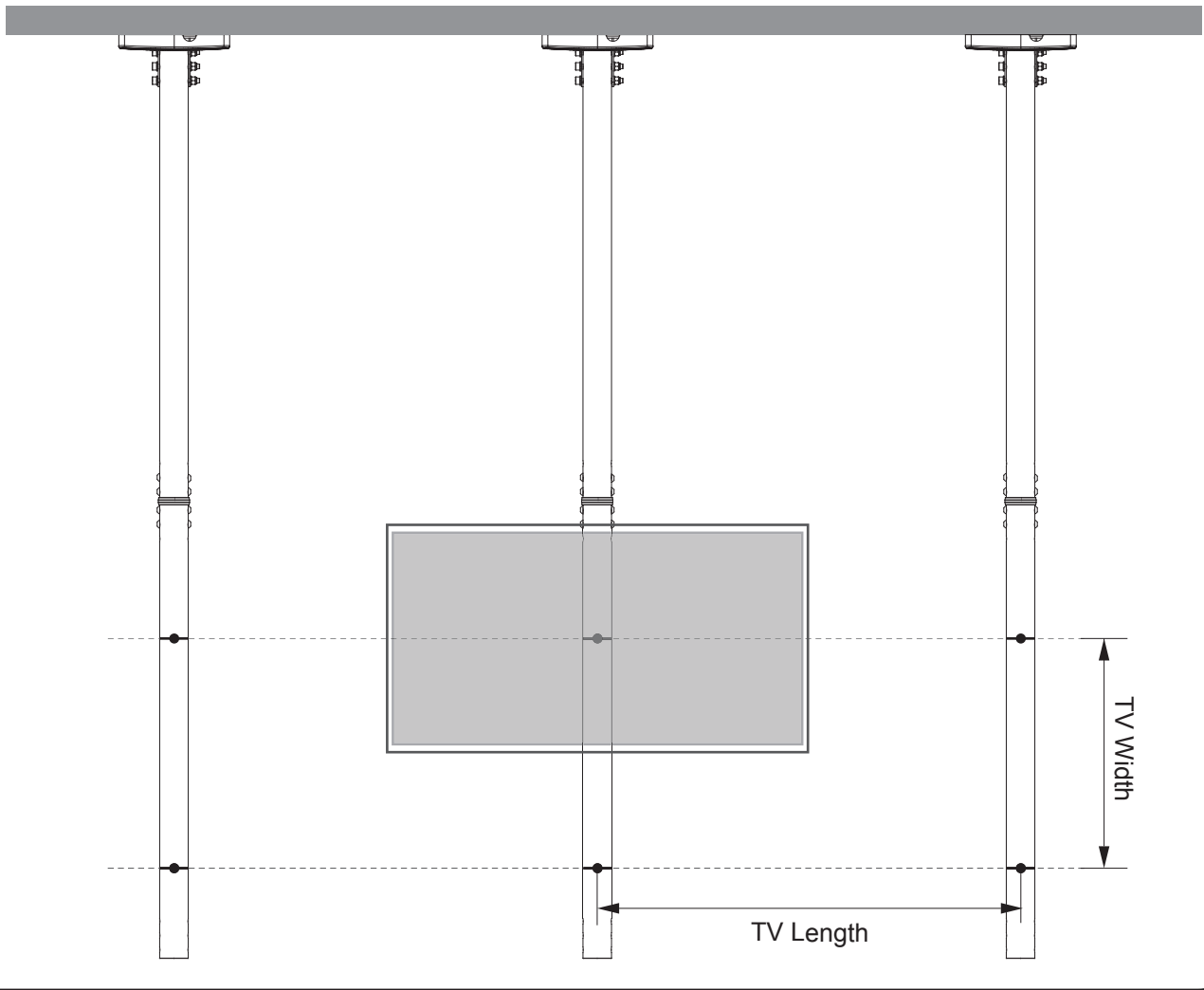
11



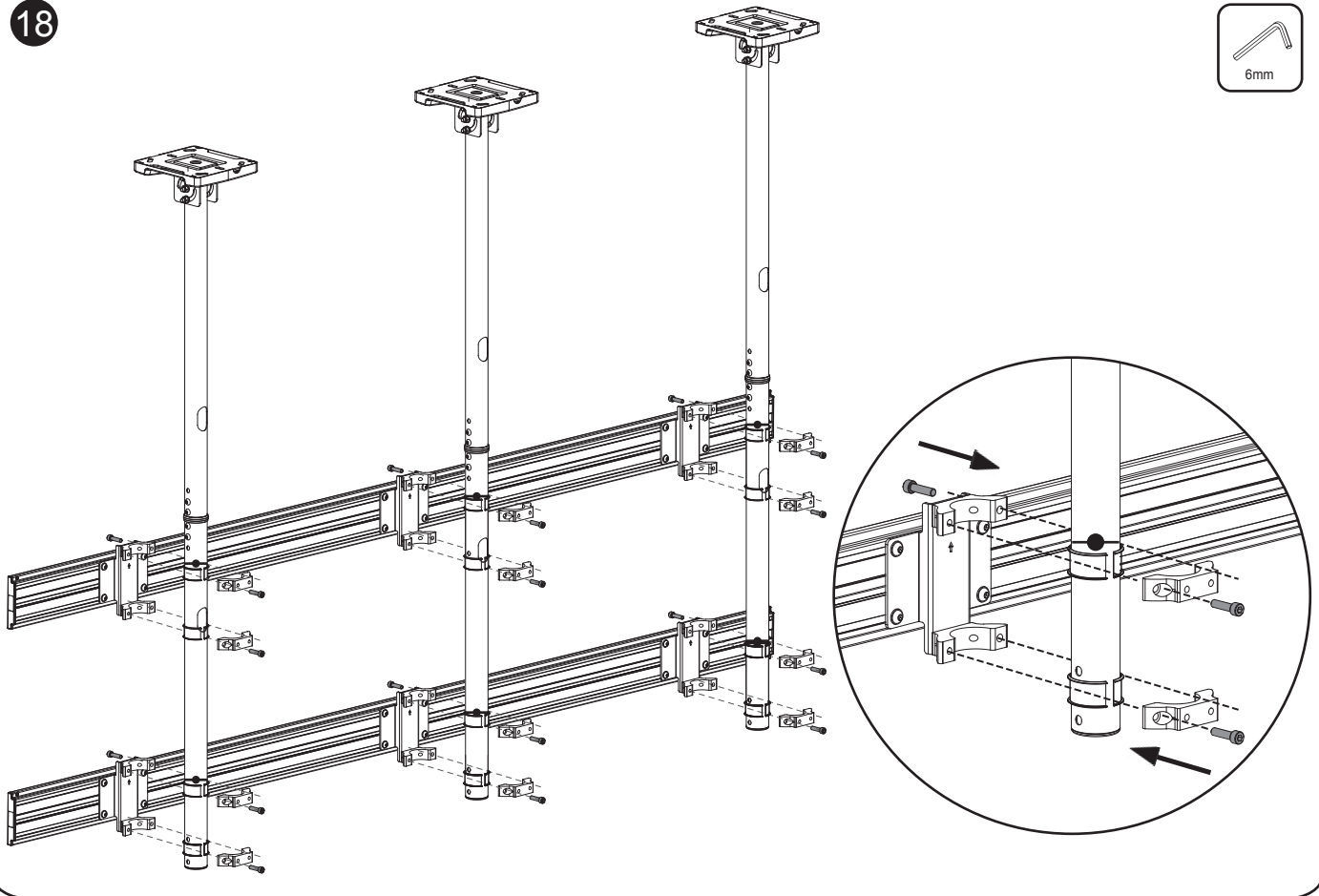




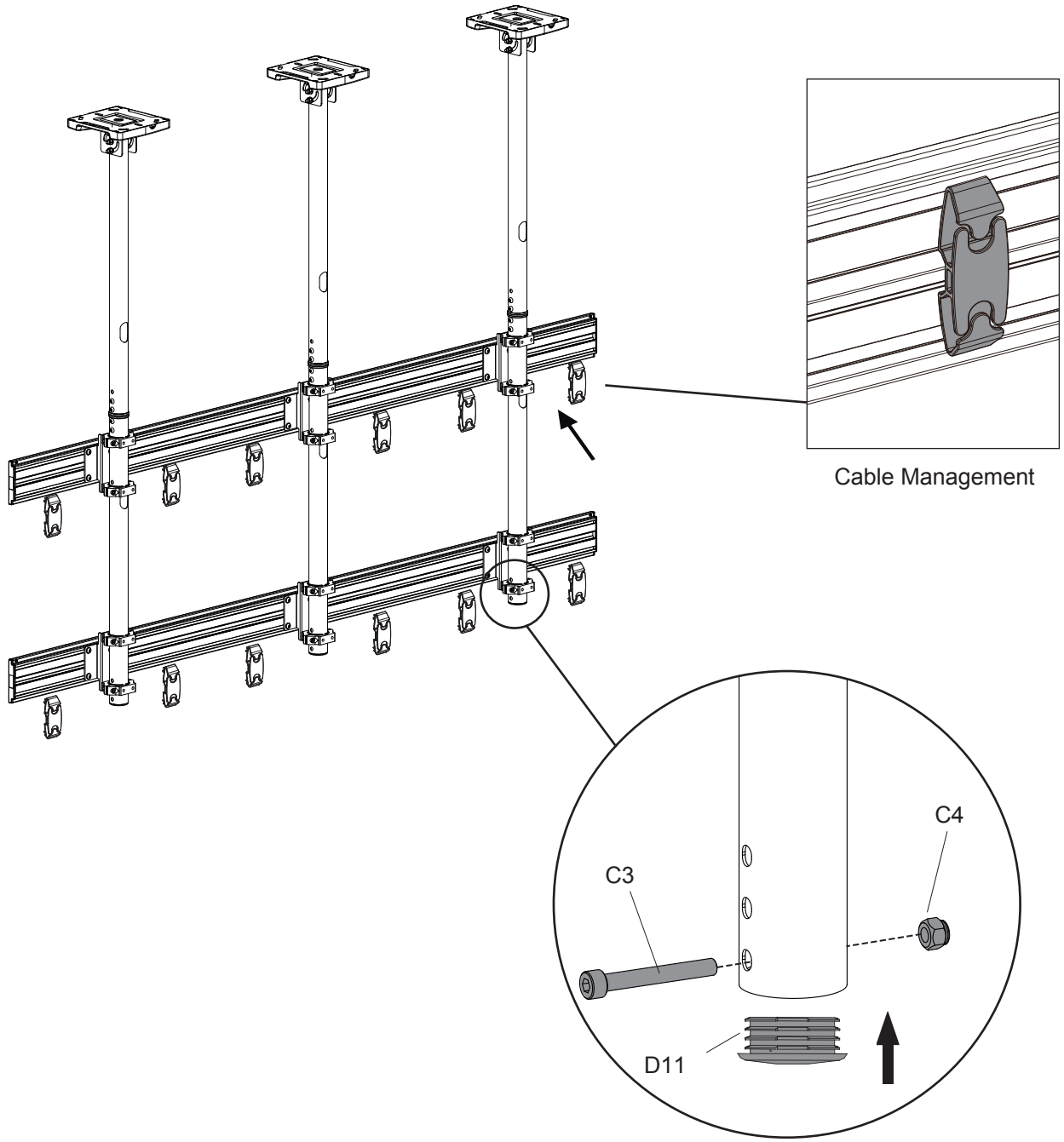
17



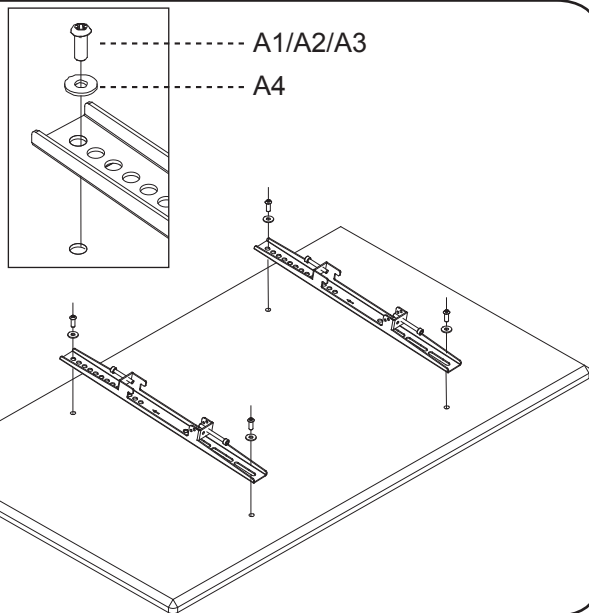
18



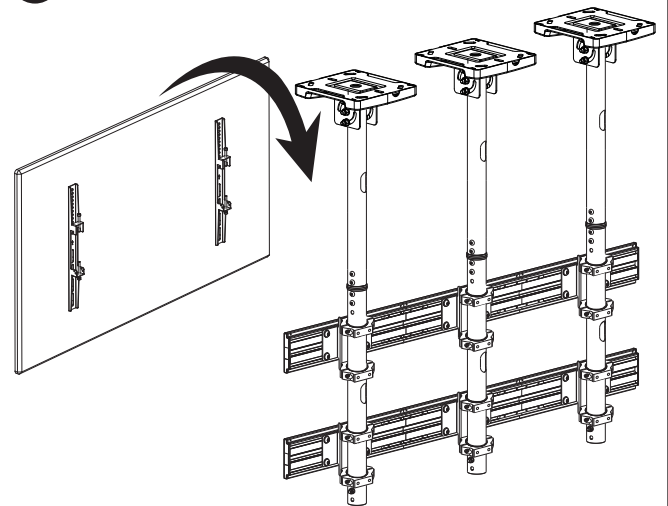
18

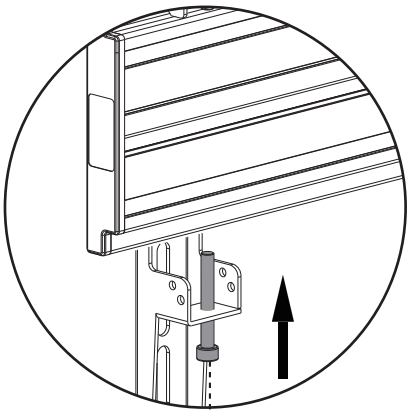
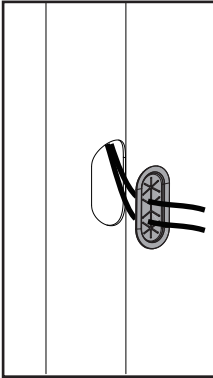
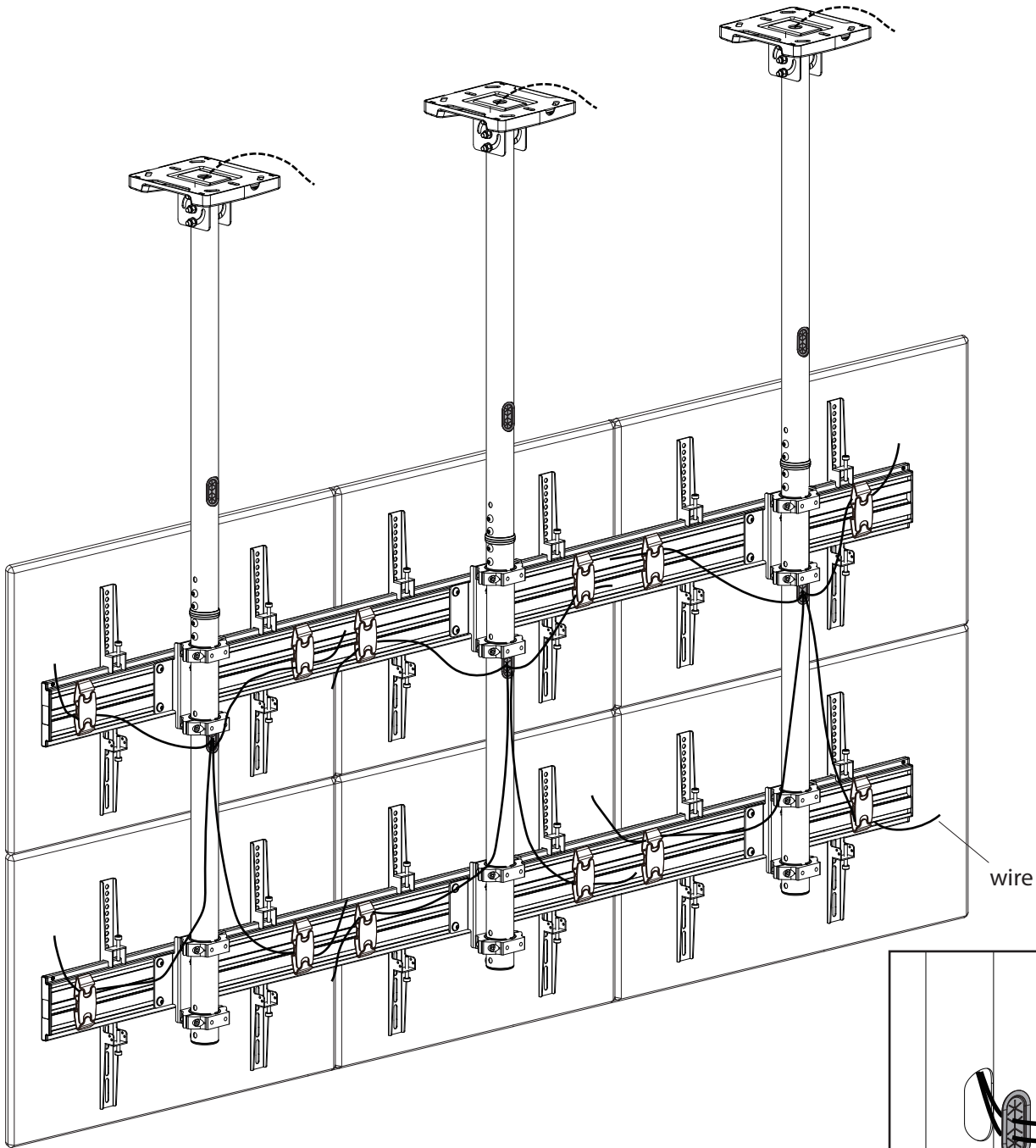


19

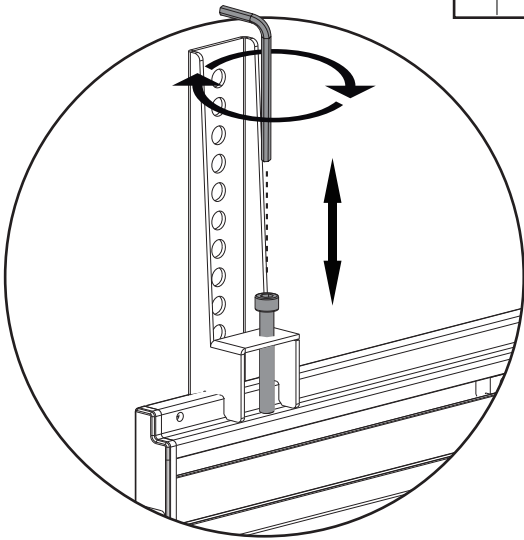


20





Allen Key



Height adjustment 10mm