



* All images in this datasheet are for illustrative purposes only.



Touch Open Frame 27TNF3K

New In-Cell Touch Open Frame for Optimal Customization



Slim & Light



Clear Picture Quality



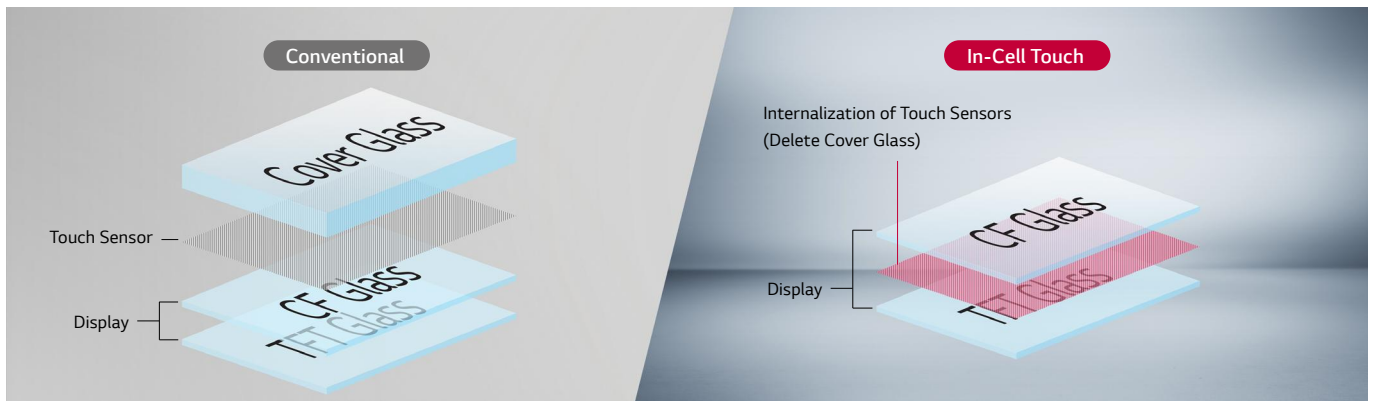
Design Flexibility



Ready for Commercial Uses

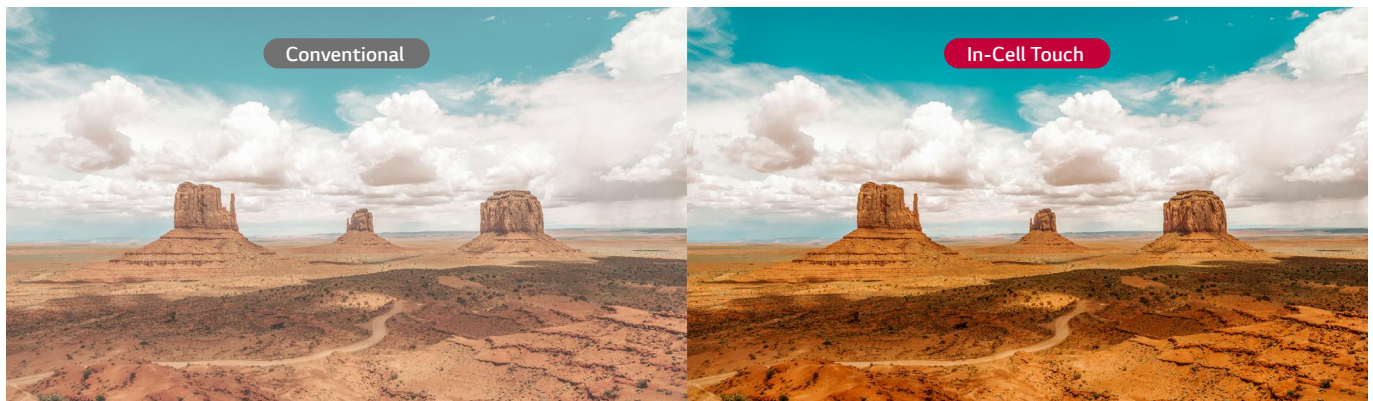
27TNF3K

Display	Inch	27"
	Native Resolution	1,920 × 1,080 (FHD)
	Brightness	300 nit
	Portrait / Landscape	Yes / Yes
Touch	Multi-Touch Point	Max. 10 Points
Connectivity	Input	HDMI (2, HDCP 1.4), RS-232C In, RJ45 (LAN), IR In, USB 2.0 Type A
	Output	Audio Out, Touch USB (USB 2.0 Type B)



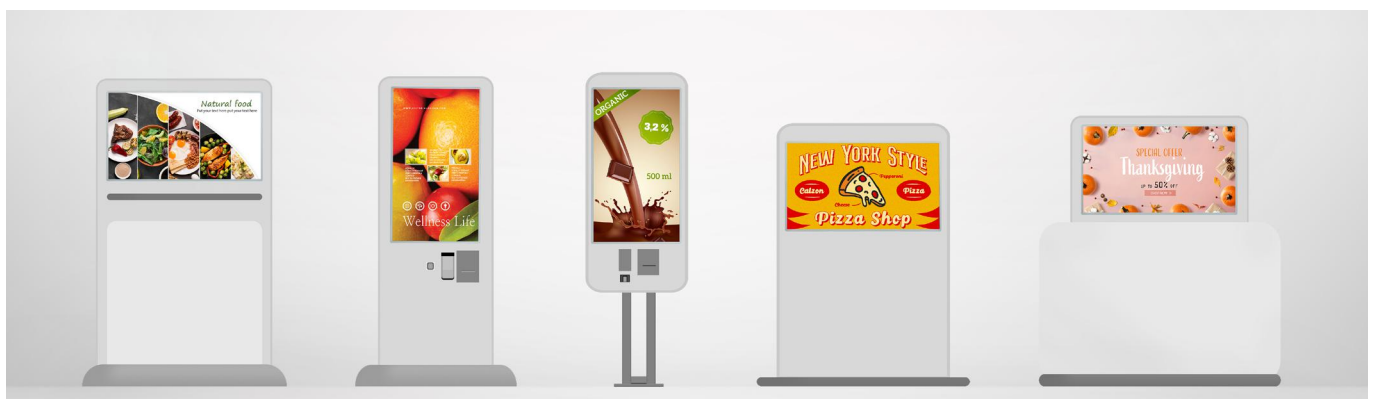
Slim & Light

The In-Cell Touch Open Frame has a touch function built into the display, allowing for the implementation of a slim design and a narrow bezel compared to general touch products that require additional touch parts (Film).



Clear Picture Quality

Compared to general touch products, 27TNF3K implements clear picture quality without milk effects caused by additional touch sensor film parts.



Design Flexibility

By providing integrated parts such as touchscreen, display, and webOS, users can realize free design for their own needs.

Ready for Commercial Uses



Wide Viewing Angle

IPS panel technology provides better control of the liquid crystals, which in turn allows the screen to be viewed at virtually any angle.



25-degree Tilt (Face up) Installation Possible

When a display is installed at low places, it is usually tilted for the user's viewing comfort. Considering this, the installation with a max tilt of 25 degrees is supported.



10 Points of Multi-Touch

The 27TNF3K provides a more realistic touch sensation since it can recognize up to 10 points of multi-touch at once, and various touch-based user services can be provided through the screen.



High-Performance with webOS 6.0

webOS 6.0, upgraded in SoC* and web engine, is available on 27TNF3K for a smooth execution of several tasks. LG webOS smart signage platform enhances user convenience with intuitive GUI** and provides to SI or/and developers simple app development tools such as SDK (Software Development Kit), SCAP, sample applications.

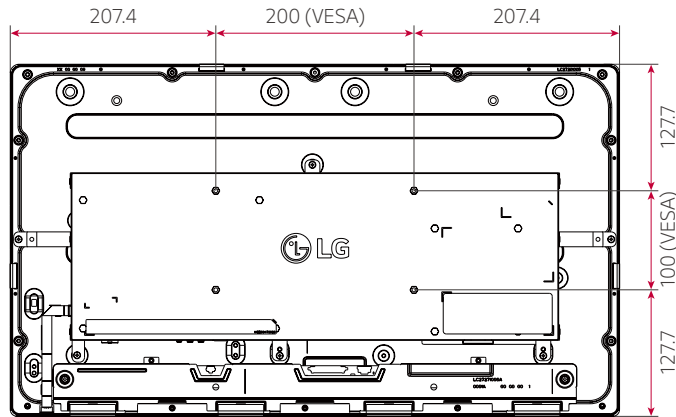
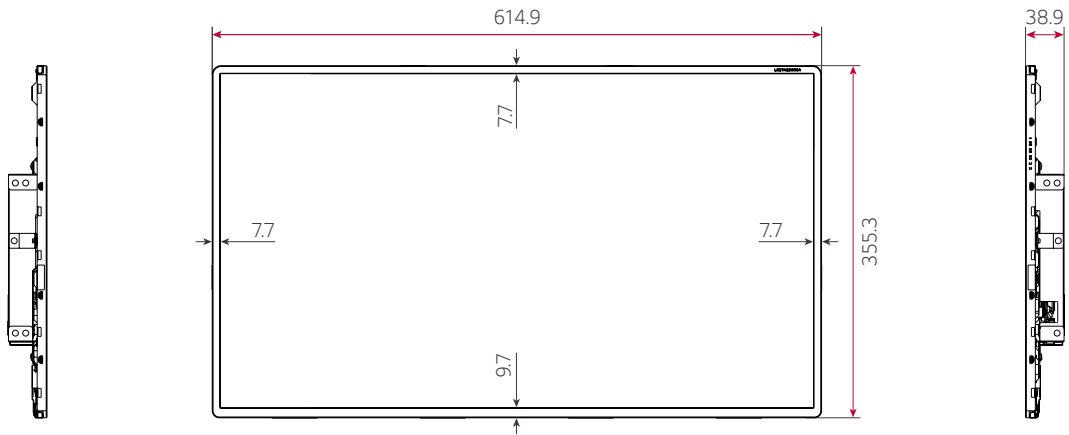
* SoC : System On Chip

** GUI : Graphical User Interface

* All images in this datasheet are for illustrative purposes only.

DIMENSION (unit: mm)

27"



CONNECTIVITY

27"



* Dimensions & Jack Panels may differ from the above image, so please contact LG sales team to verify before ordering.



- www.lg.com/global/business/information-display
- www.youtube.com/c/LGCommercialDisplay
- www.facebook.com/LGInformationDisplay
- www.linkedin.com/company/LGInformationDisplay
- twitter.com/LG_ID_HQ

LG may make changes to specifications and product descriptions without notice. Copyright © 2022 LG Electronics Inc. All rights reserved. "LG Life's Good" is a registered trademark of LG Corp. The names of products and brands mentioned here may be the trademarks of their respective owners.

