

# WALL MOUNT PD02W T M L, PD02W T L L & PD03W T M P

## UNIVERSAL MEDIUM & LARGE TILT WALL MOUNT

Solid universal wall mount with tilt function for NEC Large Format Displays from 32" to 65" available for either landscape or portrait orientation.

This wall mount is not only the perfect mount for single display installations. Together with specific connectors, this wall mount includes a variety of features to make multi display installations fast and easy. It is therefore the ideal solution for quick serve restaurants and for airport flight information boards. In addition optional video conference accessories make it the perfect choice for any kind of meeting room situation.



## Delivering Genuine Benefits

Provides effortless tilting by using the center of gravity to balance the screen

Post-installation lateral shift allows displays to slide apart and back together to simplify installation and maintenance

Hear an audible click when the displays safely engage with the mount

Provides low-profile, fingertip tilt

Built-in cable stand provides easy access under the screen

Optional Connector Kits easily connect mounts to create multi-monitor menu board configurations

Optional accessories (Video Conference Shelf, Component Shelf, etc.) make it the perfect solution for video conferencing applications

PD02W T M L - Medium Landscape



PD03W T M P - Medium Portrait

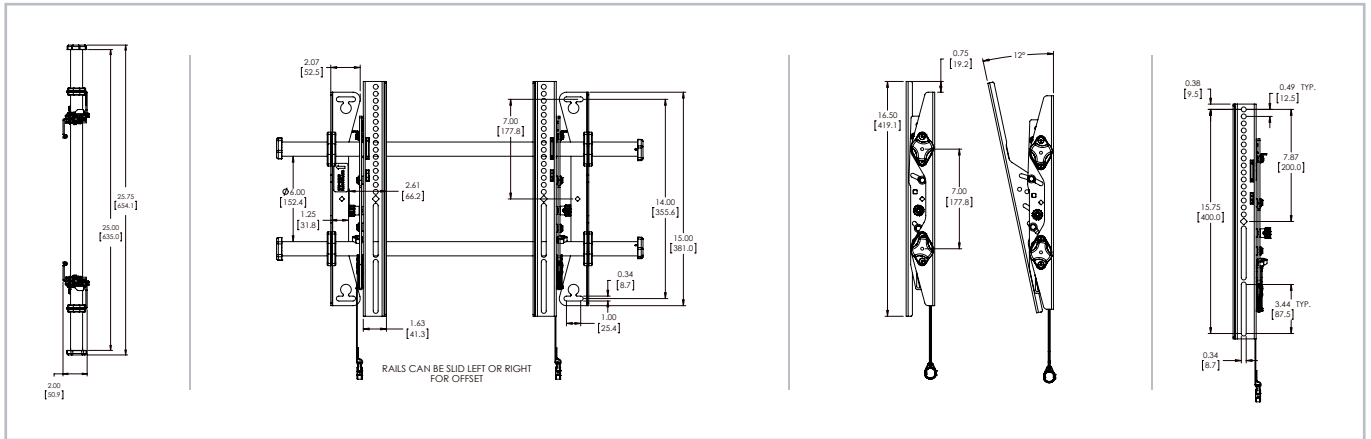


PD02W T L L - Large Landscape

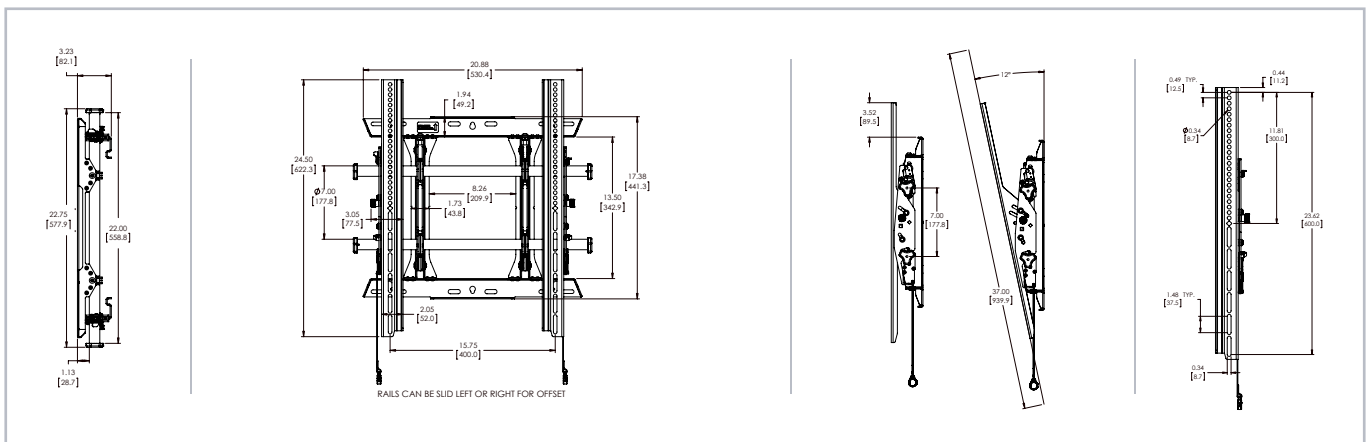


# TECHNICAL DRAWINGS

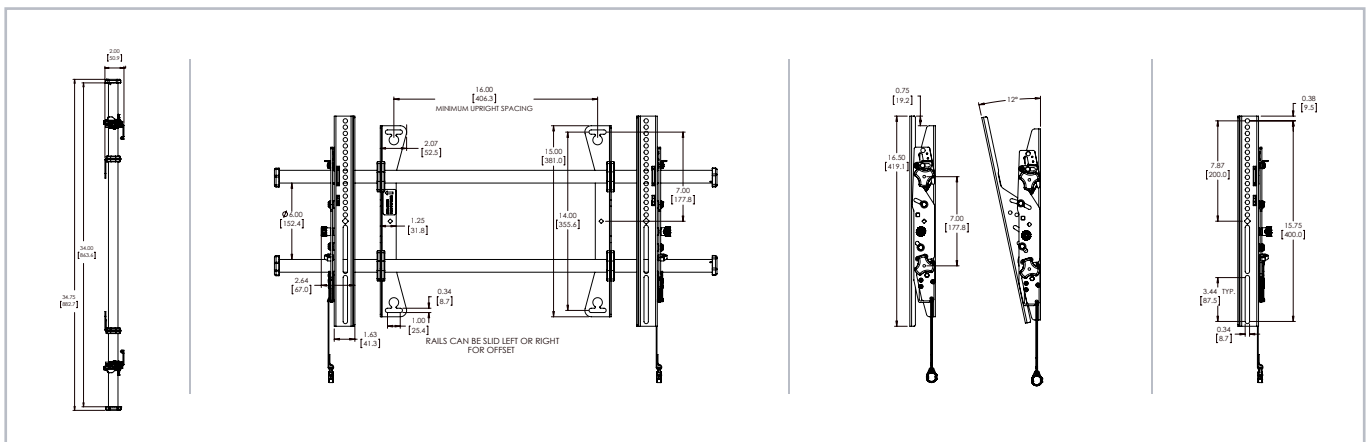
## PD02W T M L



## PD03W T M P



## PD02W T L L



CONNECTOR KITS AVAILABLE TO MAKE MENU BOARD INSTALLATIONS QUICK AND EASY\*

NEC MULTISYNC® V423, X401S, P403

CONFIGURATIONS	LANDSCAPE				PORTRAIT			
	2x1	3x1	4x1	5x1	2x1	3x1	4x1	5x1
Mount	PD02W T M L	PD02W T M L	PD02W T M L	PD02W T M L	PD03W T M P	PD03W T M P	PD03W T M P	PD03W T M P
Mount QTY	2	3	4	5	2	3	4	5
Connector Kit	CK MB L	CK MB L	CK MB L	CK MB L	CK MB L	CK MB L	CK MB L	CK MB L
Connector Kit QTY	1	2	3	4	1	2	3	4



# WALL MOUNT PD02W T M L, PD02W T L L & PD03W T M P

UNIVERSAL MEDIUM & LARGE TILT WALL MOUNT

## NEC MULTISYNC® V463, X462S, P463

CONFIGURATIONS	LANDSCAPE				PORTRAIT			
	2x1	3x1	4x1	5x1	2x1	3x1	4x1	5x1
Mount	PD02W T M L	PD02W T M L	PD02W T M L	PD02W T M L	PD03W T M P	PD03W T M P	PD03W T M P	PD03W T M P
Mount QTY	2	3	4	5	2	3	4	5
Connector Kit	CK MB L	CK MB L	CK MB L	CK MB L	CK MB L	CK MB L	CK MB L	CK MB L
Connector Kit QTY	1	2	3	4	1	2	3	4

## NEC MULTISYNC® V552, X552S, P553

CONFIGURATIONS	LANDSCAPE				PORTRAIT			
	2x1	3x1	4x1	5x1	2x1	3x1	4x1	5x1
Mount	PD02W T L L	PD02W T L L	PD02W T L L	PD02W T L L	PD03W T M P	PD03W T M P	PD03W T M P	PD03W T M P
Mount QTY	2	3	4	5	2	3	4	5
Connector Kit	CK MB M	CK MB M	CK MB M	CK MB M	CK MB M	CK MB M	CK MB M	CK MB M
Connector Kit QTY	1	2	3	4	1	2	3	4

\* If you need the configurations for other NEC display models, please contact NEC.

## TECHNICAL SPECIFICATIONS

CONNECTOR KITS ORDER CODES			
CK MB S	100013092		
CK MB M	100013093		
CK MB L	100013094		
	PD02W T M L	PD02W T L L	PD03W T M P
ORDER CODES	100014007	100014008	100014010
RECOMMENDED DISPLAY SIZES	32" to 46"	40" to 65"	32" to 65"
MIN. DEPTH	51.0 mm	51.0 mm	81.0 mm
TILT FUNCTION	+2°, -12°	+2°, -12°	+5°, -12°
LATERAL SHIFT	327.0 mm	441.0 mm	265.0 mm
CONFIGURATION	Unlimited number of displays in a row for Menu Board installation		
ORIENTATION	Landscape & Portrait		
MAX. WEIGHT CAPACITY	56.7 kg *	90.7 kg *	56.7 kg *
WEIGHT OF MOUNT	7.0 kg	8.1 kg	11.2 kg
PACKAGE DIMENSIONS (H X W X D)	790 x 470 x 80 mm	940 x 470 x 80 mm	700 x 680 x 80 mm
SUPPORTED DISPLAYS	All NEC Large Format Displays from 32" to 65"		
CERTIFICATIONS	UL Listed		
WARRANTY	5 years		
For additional pictures and Solutions overview, Visit <a href="http://www.nec-display-solutions.com">www.nec-display-solutions.com</a> for details.	* Please consider the overall weight of the complete construction. It is the installers responsibility to make certain the structure to which the mount is being attached is capable of supporting all equipment. For this NEC does not take any responsibility. Please consult your local vendor if advise is needed.		

This document is © Copyright 2013 NEC Display Solutions Europe GmbH. All rights are reserved in favour of their respective owners. The document, or parts thereof, should not be copied, adapted, redistributed, or otherwise used without the prior written permission of NEC Display Solutions Europe GmbH. This document is provided "as is" without warranty of any kind whatsoever, either express or implied. Errors and omissions are accepted.

NEC Display Solutions Europe GmbH may make changes, revisions or improvements in, or discontinue the supply of any product described or referenced in this document at any time without notice. 30 April 2015

NEC Information:

Call: +49 (0)89/99 699-0

Email: [infomail@nec-displays.com](mailto:infomail@nec-displays.com)

[www.nec-display-solutions.com](http://www.nec-display-solutions.com)

Empowered by Innovation

