

VIDEOWALL MOUNT PDW S 32-55 P/L

ORDER CODE: PORTRAIT 100012665 LANDSCAPE 100012666

Solid universal wall mount with fixed tilt for all NEC Public Displays up to 55". Available for landscape and portrait orientation.

With Slide In Security Bar



LANDSCAPE PDW S 32-55 L



PORTRAIT PDW S 32-55 P



Delivering Genuine Benefits

Super slim design

Fits exactly into the space between two wall studs

Locking padlock for improved personal safety and security from theft

Available for landscape and portrait installations

Screws for installing the display included

Easy installation and cost efficient

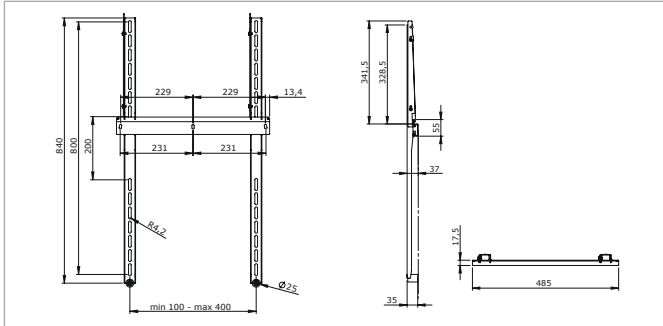


VIDEOWALL MOUNT PDW S 32-55 P/L

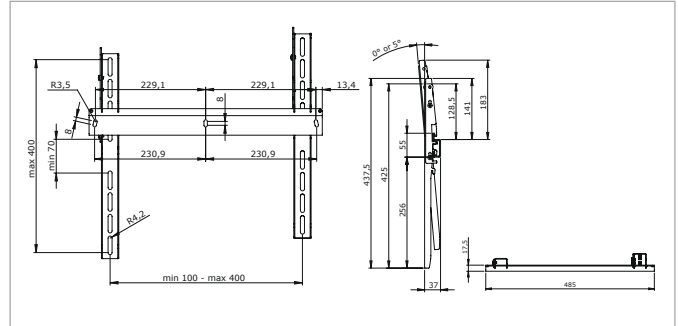
ORDER CODE: PORTRAIT 100012665 LANDSCAPE 100012666

TECHNICAL DRAWINGS

PORTRAIT PDW S 32-55 P



LANDSCAPE PDW S 32-55 L



TECHNICAL SPECIFICATIONS

ORDER CODE	
Portrait	100012665
Landscape	100012666
MIN. DEPTH	35.0 mm
TILT FUNCTION	
Portrait	0°
Landscape	0° or 5°
VESA STANDARDS	300 x 300mm; 400 x 200mm; 400 x 400mm
ORIENTATION	Landscape & Portrait
MAX. WEIGHT CAPACITY	50kg*
PACKAGE DIMENSIONS (H X W X D)	
Portrait	870 x 63 x 53
Landscape	510 x 63 x 43
WEIGHT OF MOUNT	
Portrait	3.0 kg
Landscape	1.5 kg
SHIPPING CONTENT	
Portrait	1 x Lock Plate; 1 x Wall Plate; 2 x Vertical Plate including Hook; 8 x M6x12 Screws; 8 x 6x19x1 Washers; 2 x Distance Washers; 2 x 4.2x16 Screws
Landscape	1 x Lock Plate; 1 x Wall Plate; 2 x Vertical Plate including Hook; 4 x M6x12 Screws; 4 x 6x19x1 Washers
SUPPORTED DISPLAYS	Any NEC Public Display from 32" to 55"
WARRANTY	3 years
For additional pictures and Solutions overview, Visit www.nec-display-solutions.com for details.	* Performance and experience is bound to the wall construction. For this NEC does not take responsibility. Please consult your local vendor if advise is needed.

This document is © Copyright 2014 NEC Display Solutions Europe GmbH. All rights are reserved in favour of their respective owners. The document, or parts thereof, should not be copied, adapted, redistributed, or otherwise used without the prior written permission of NEC Display Solutions Europe GmbH. This document is provided "as is" without warranty of any kind whatsoever, either express or implied. Errors and omissions are accepted.

NEC Display Solutions Europe GmbH may make changes, revisions or improvements in, or discontinue the supply of any product described or referenced in this document at any time without notice. 6. May 2014

NEC Information:

Call: +49 (0)89/99 699-0

Email: infomail@nec-displays.com

www.nec-display-solutions.com

Empowered by Innovation

